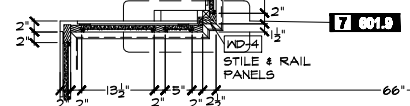
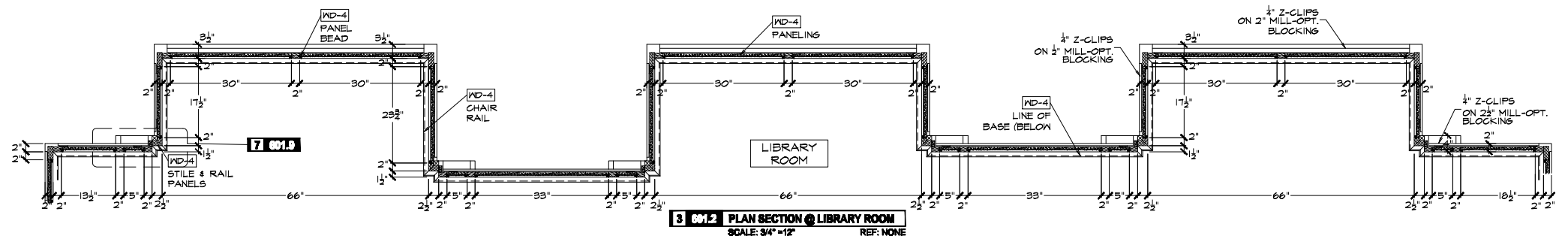
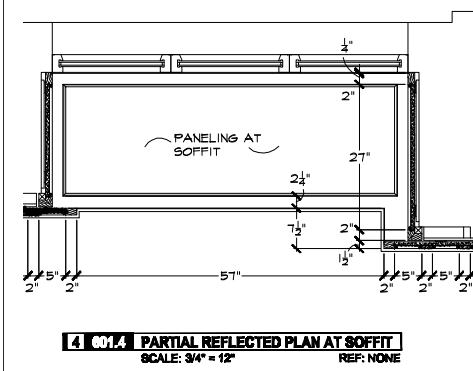
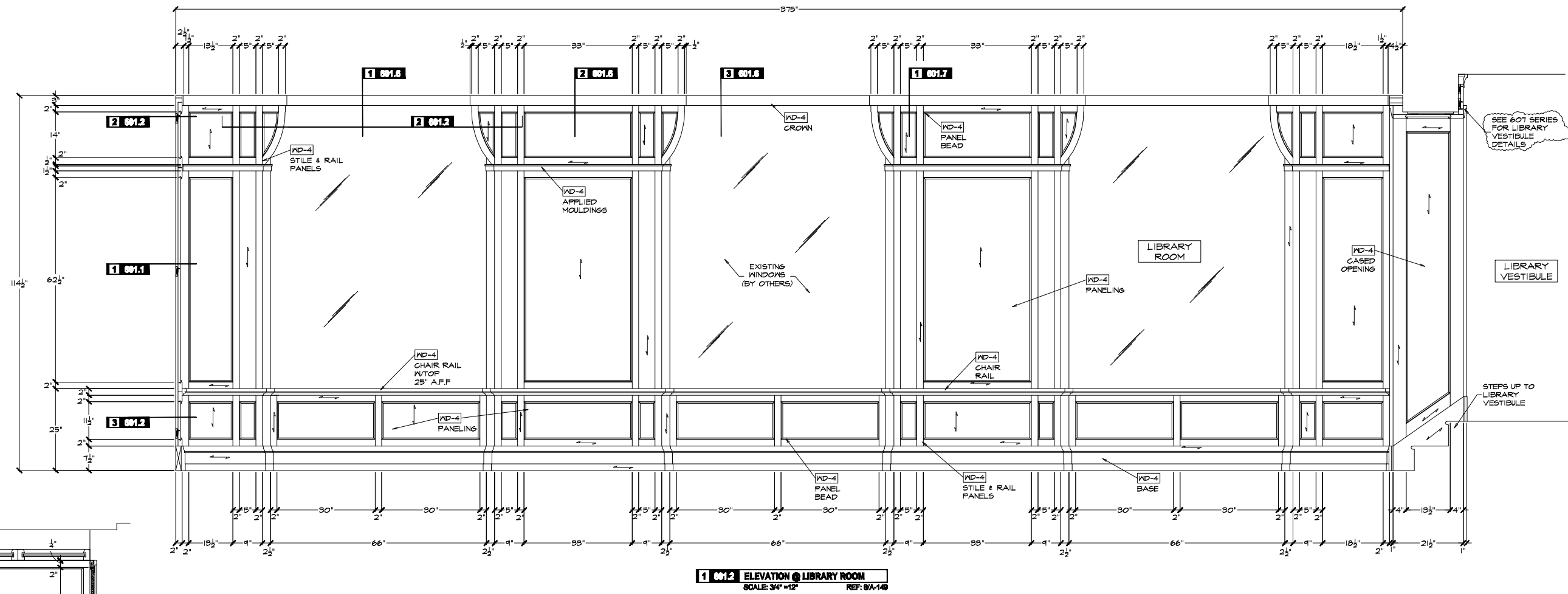
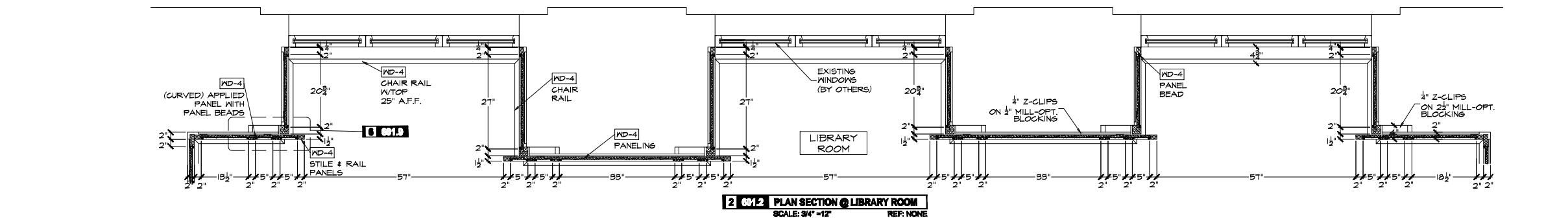
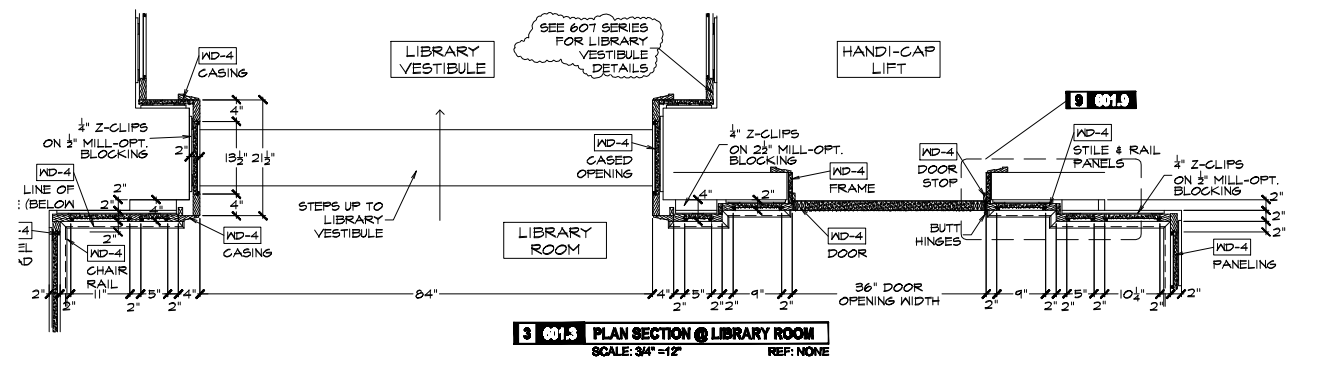
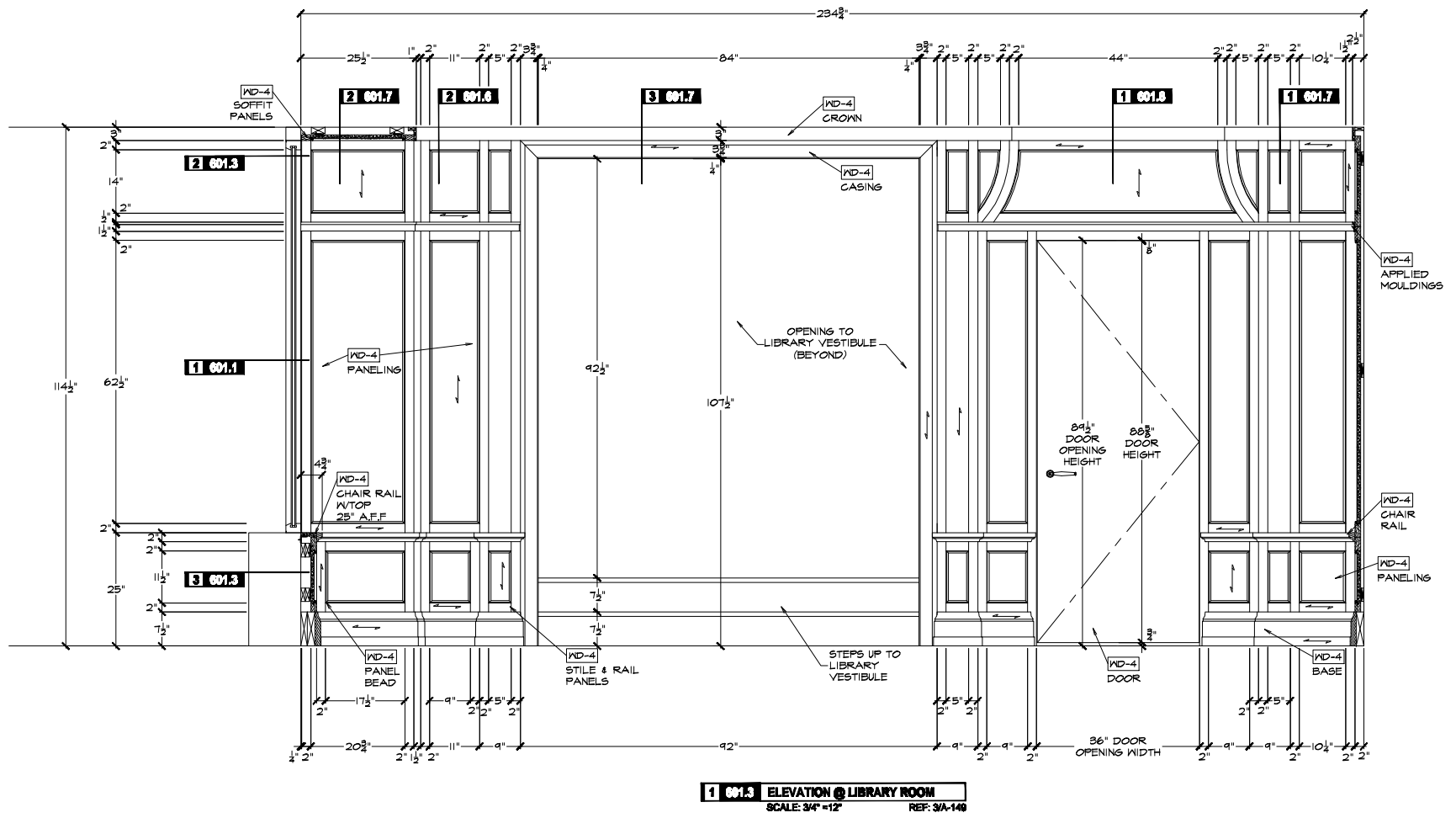
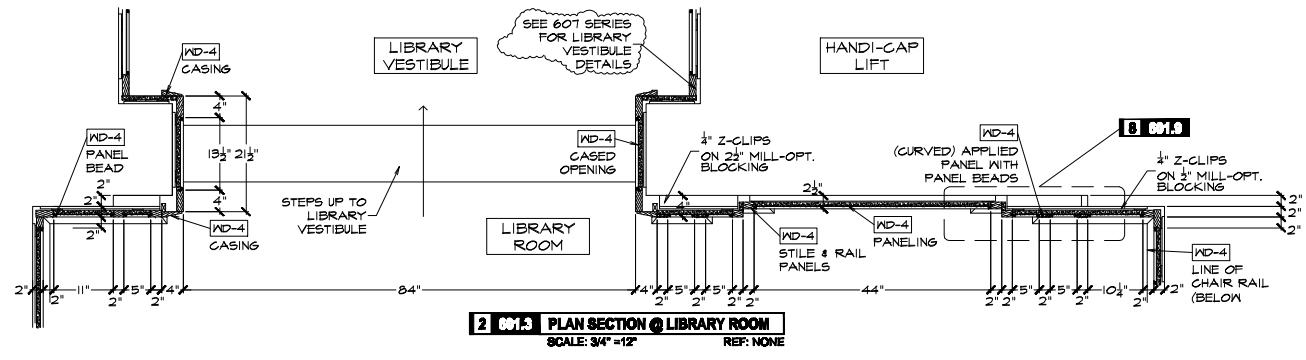
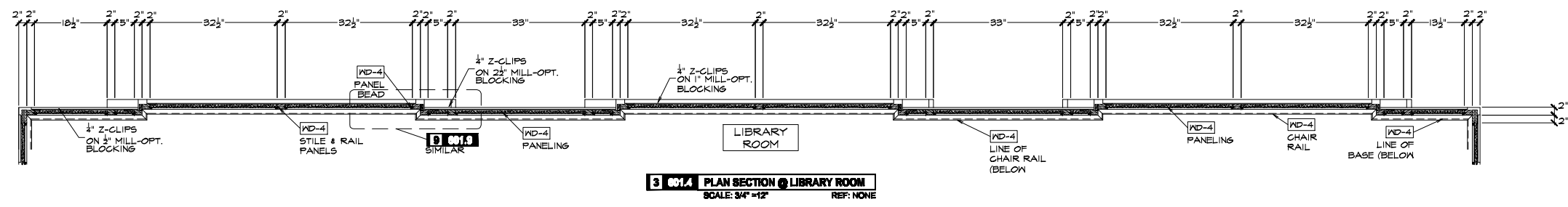
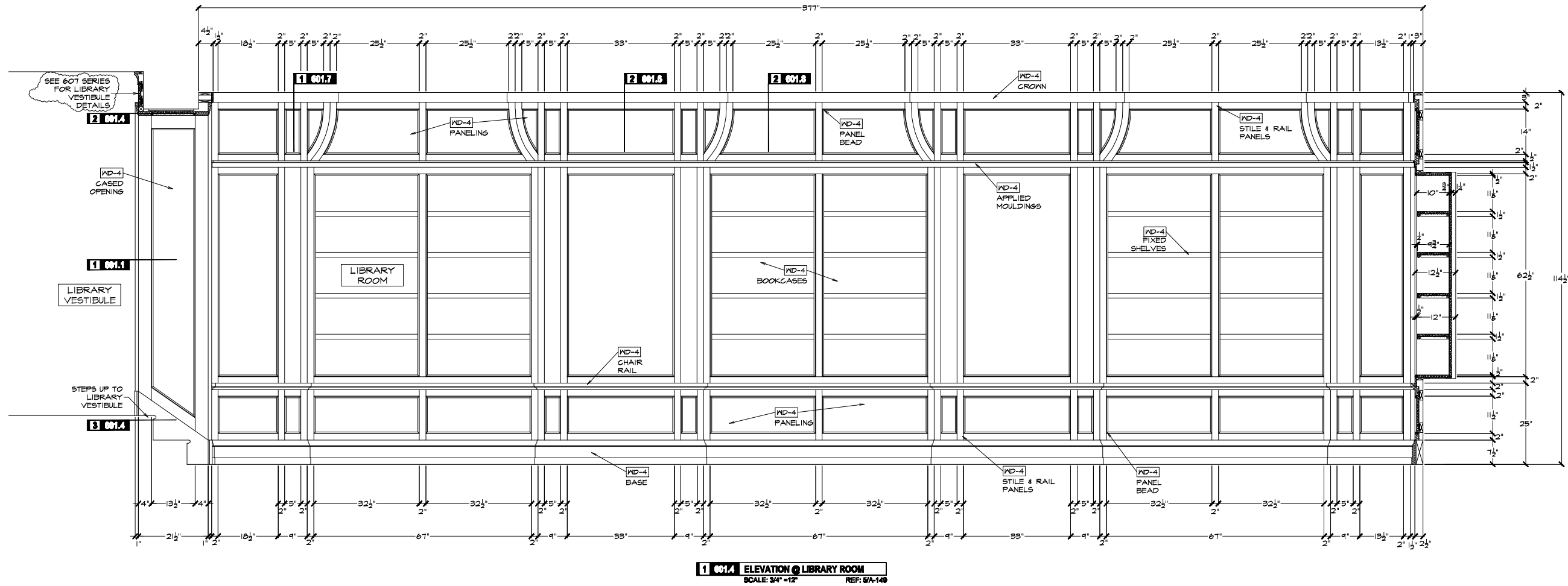
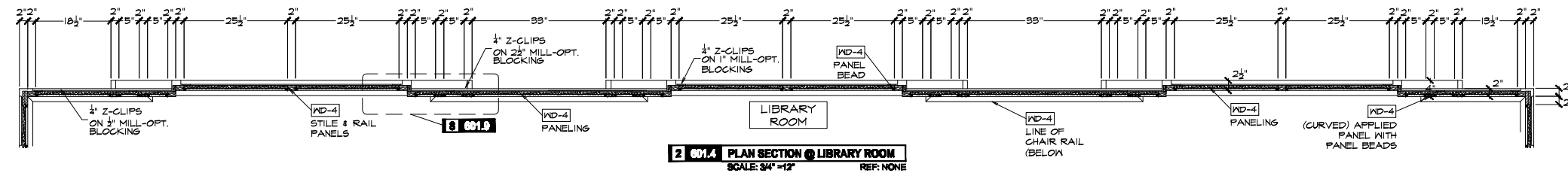


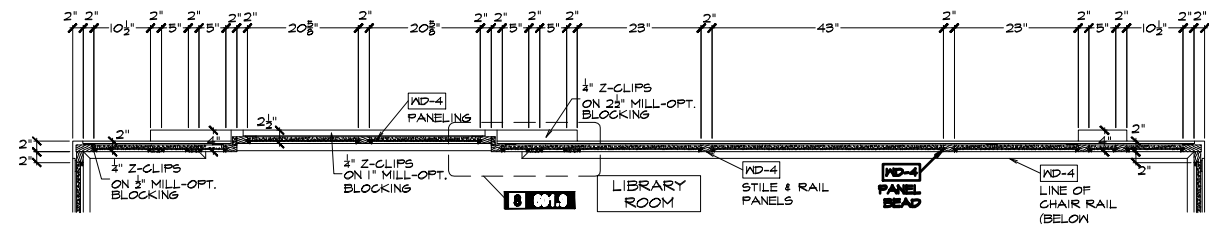
1 601.1 PLAN @ LIBRARY ROOM
 SCALE: 3/4" = 1'-0"
 REF: A141 & 11A-149



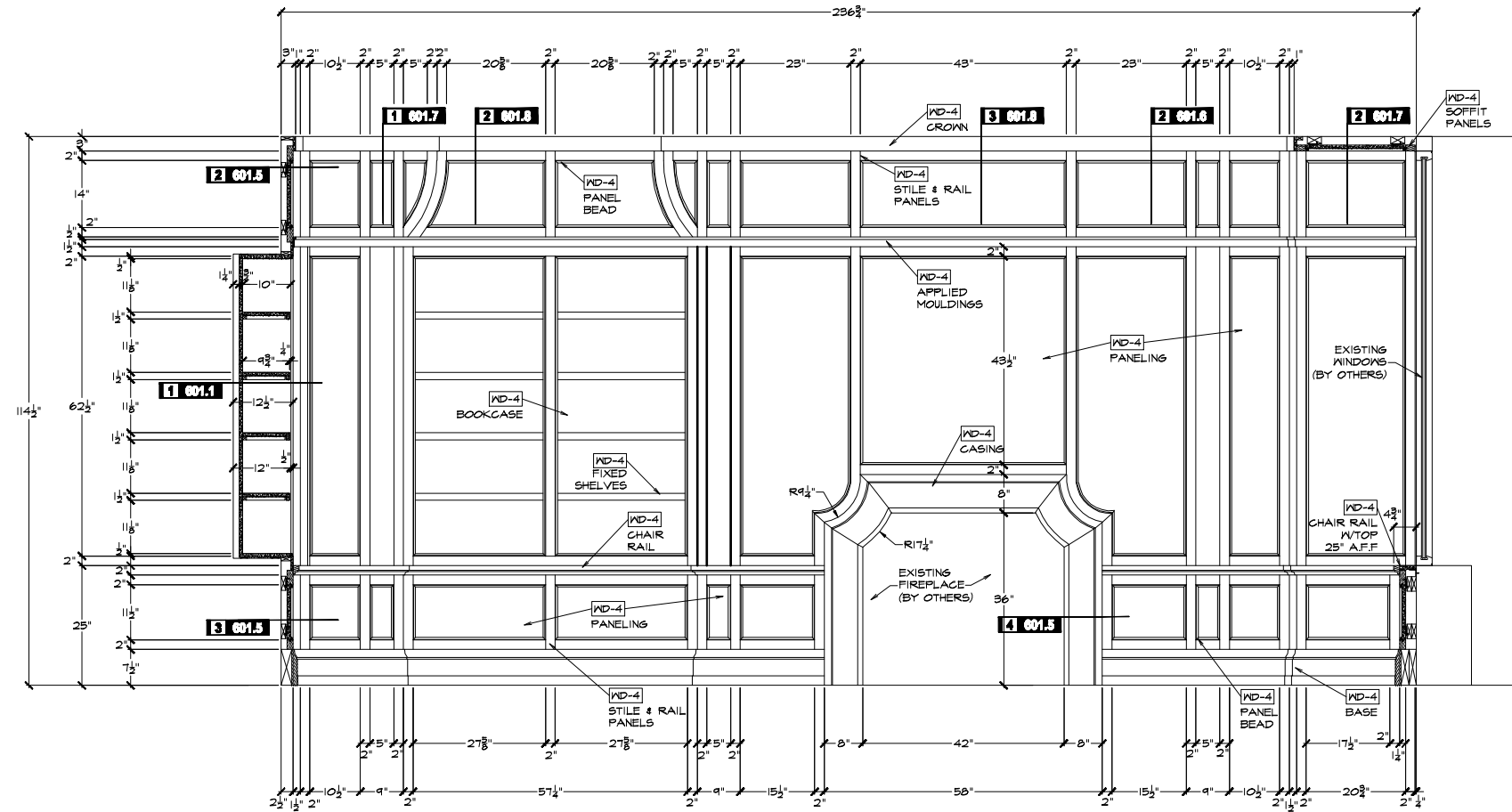




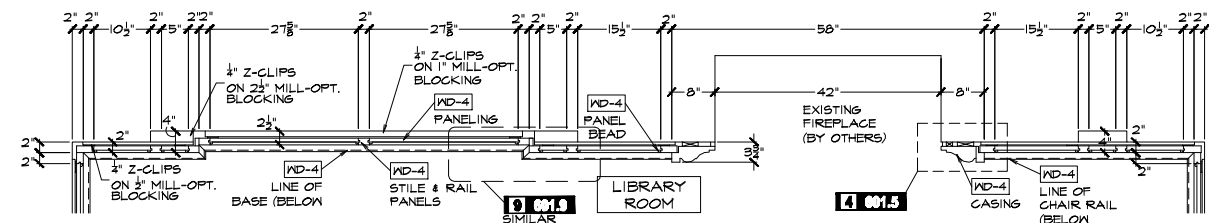




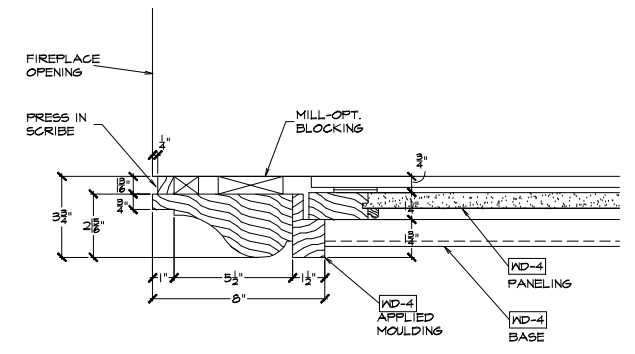
2 001.5 PLAN SECTION @ LIBRARY ROOM
SCALE: 3/4" = 12" REF: NONE



1 001.5 ELEVATION @ LIBRARY ROOM
SCALE: 3/4" = 12" REF: 4A-146

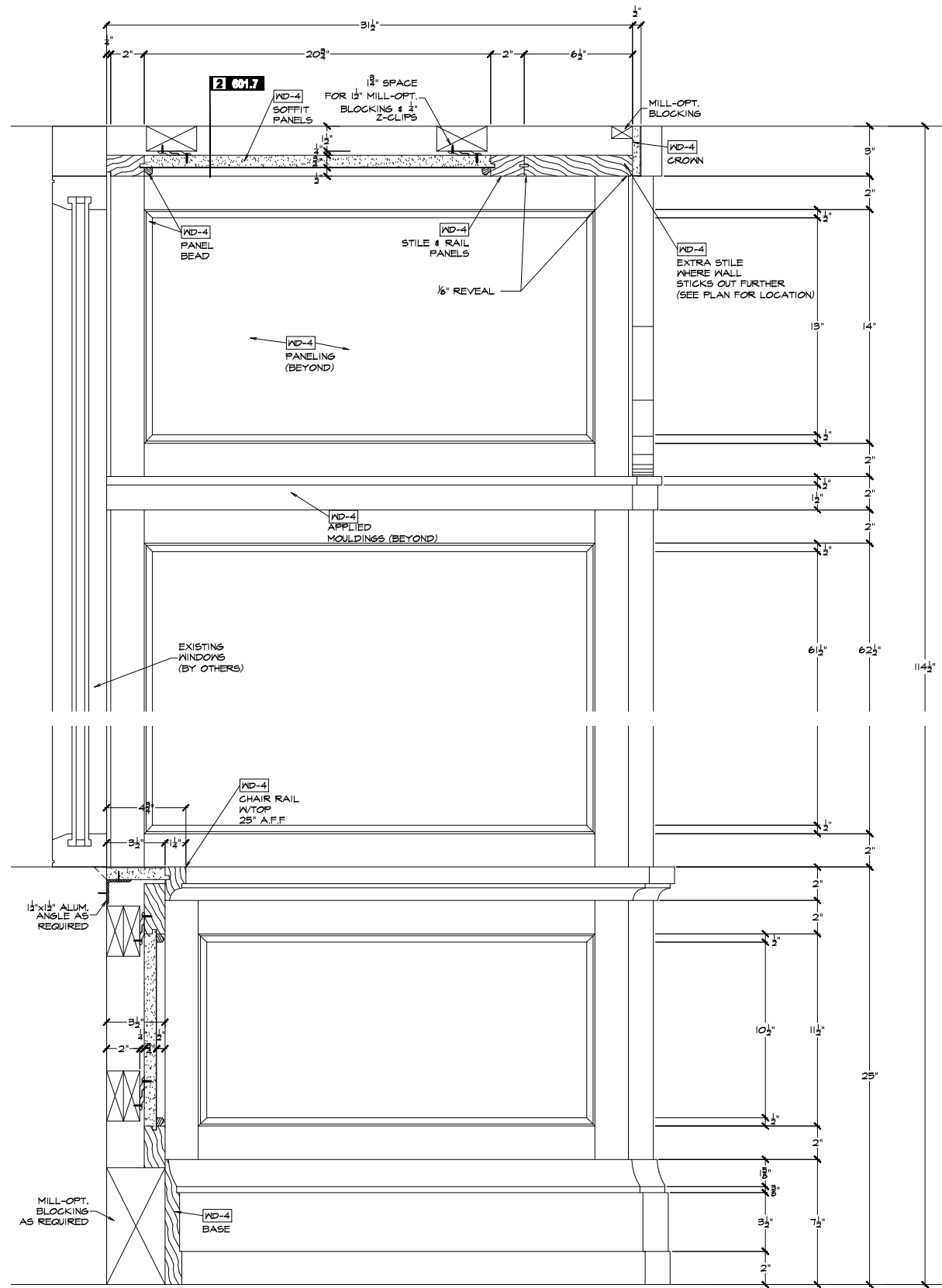


3 001.5 PLAN SECTION @ LIBRARY ROOM
SCALE: 3/4" = 12" REF: NONE

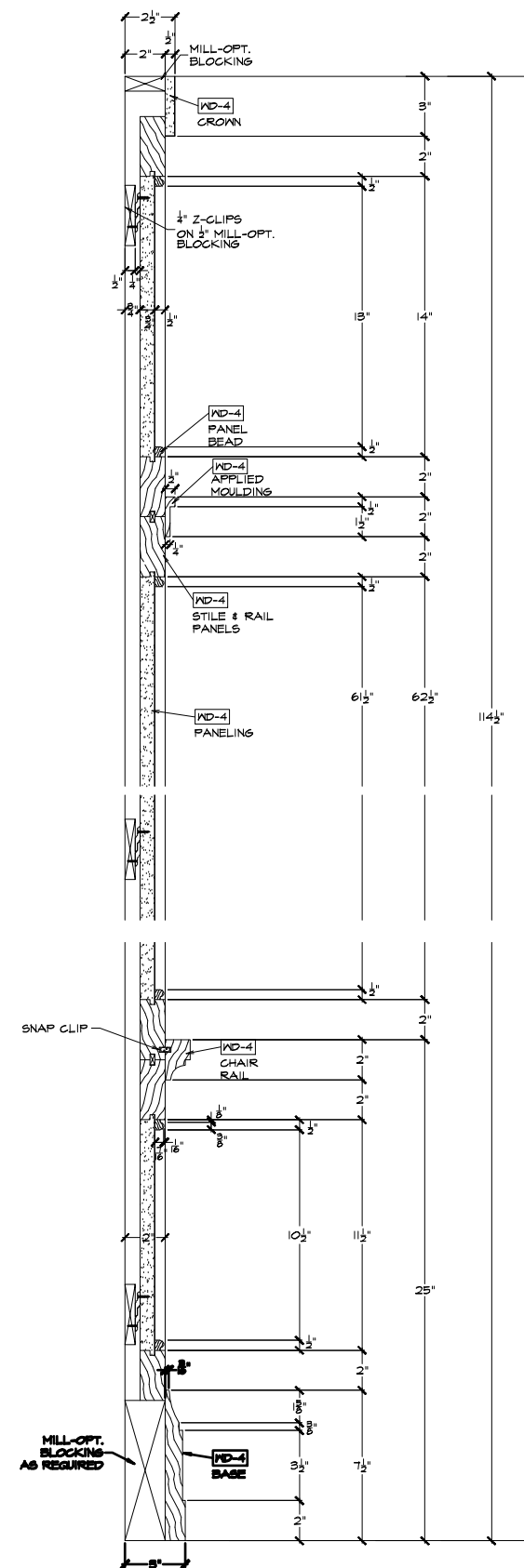


4 001.5 DETAIL AT FIREPLACE OPENING
SCALE: 3" = 12" REF: NONE

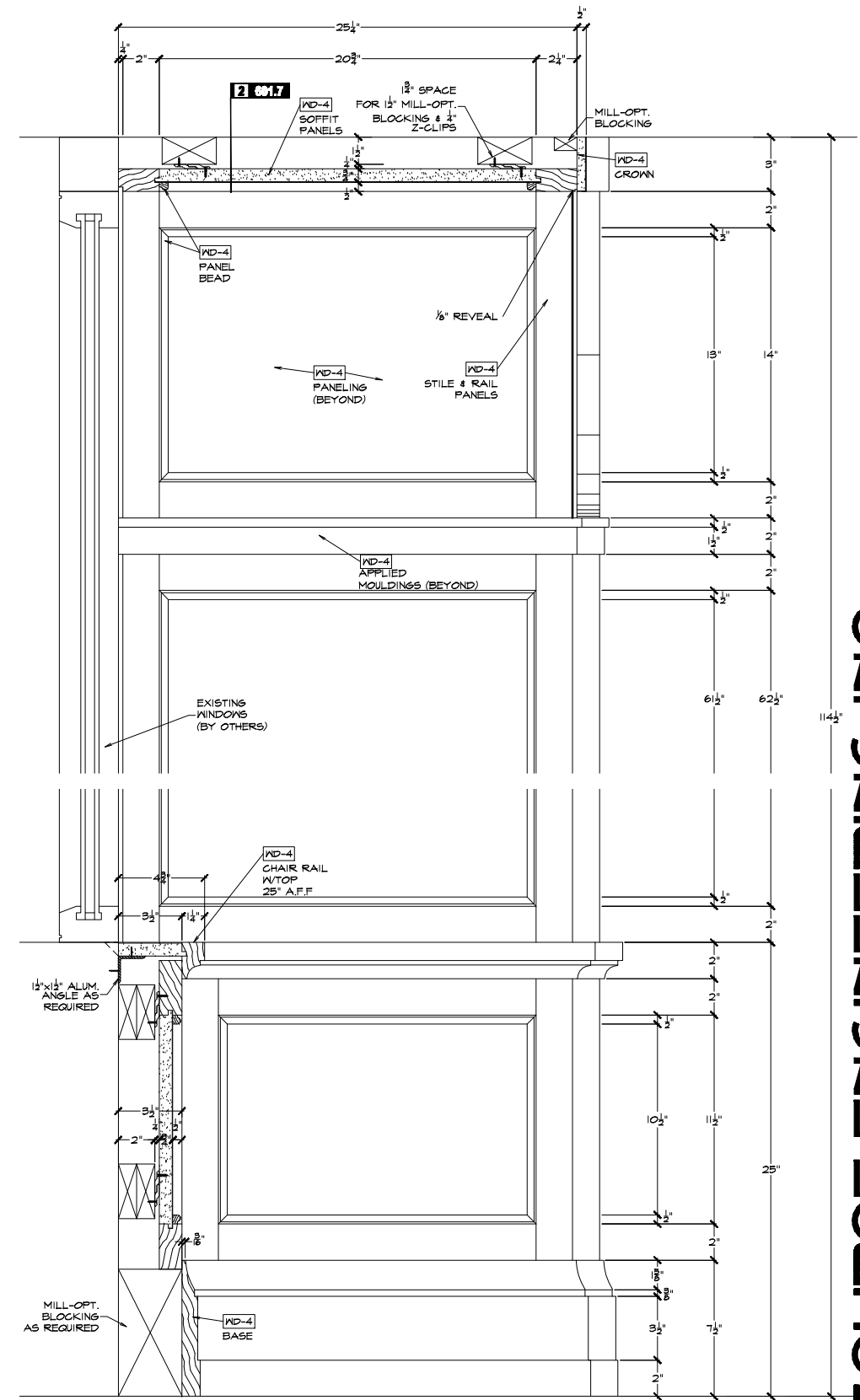




1 C01.6 SECTION @ LIBRARY ROOM
SCALE: 3/4" = 12" REF: 14/A148

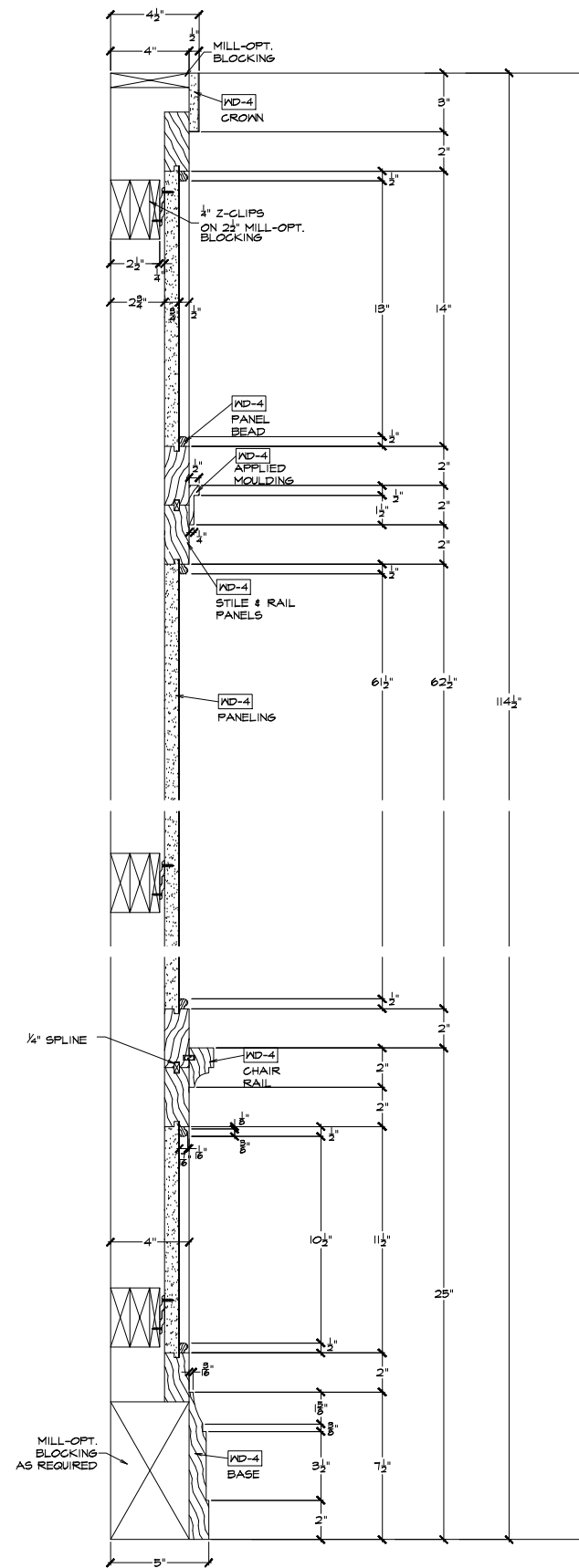


2 C01.6 SECTION @ LIBRARY ROOM
SCALE: 3/4" = 12" REF: 18/A148

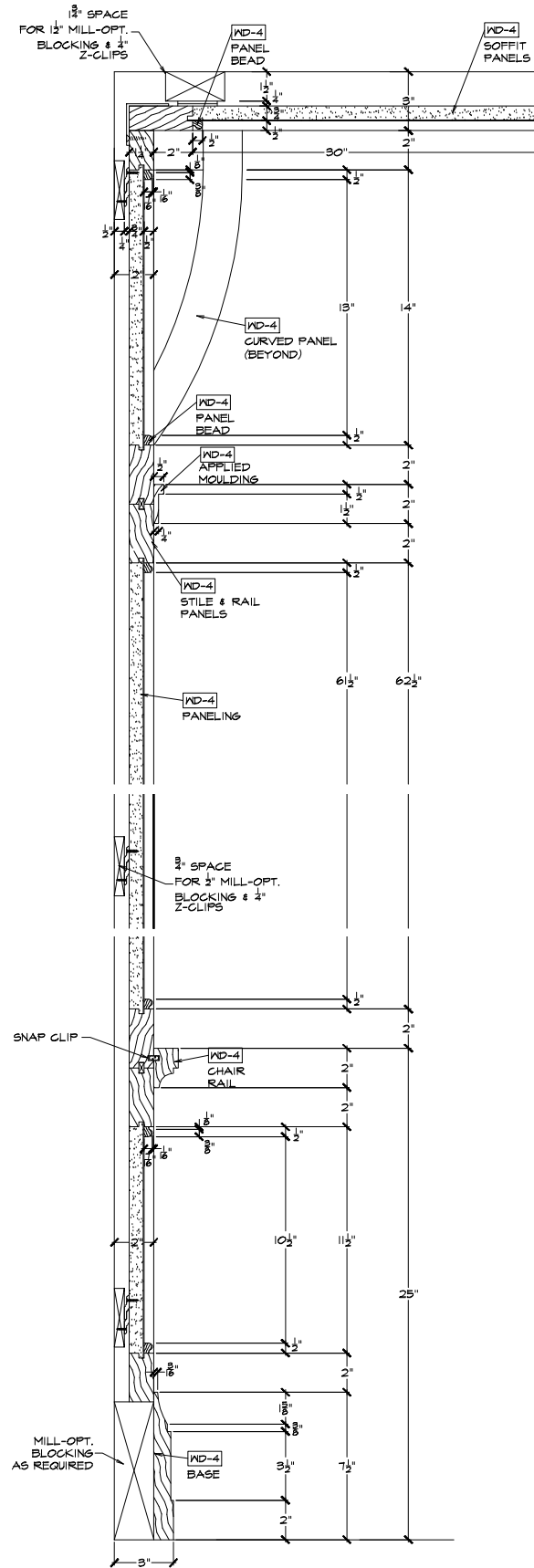


3 C01.6 SECTION @ LIBRARY ROOM
SCALE: 3/4" = 12" REF: 14/A148

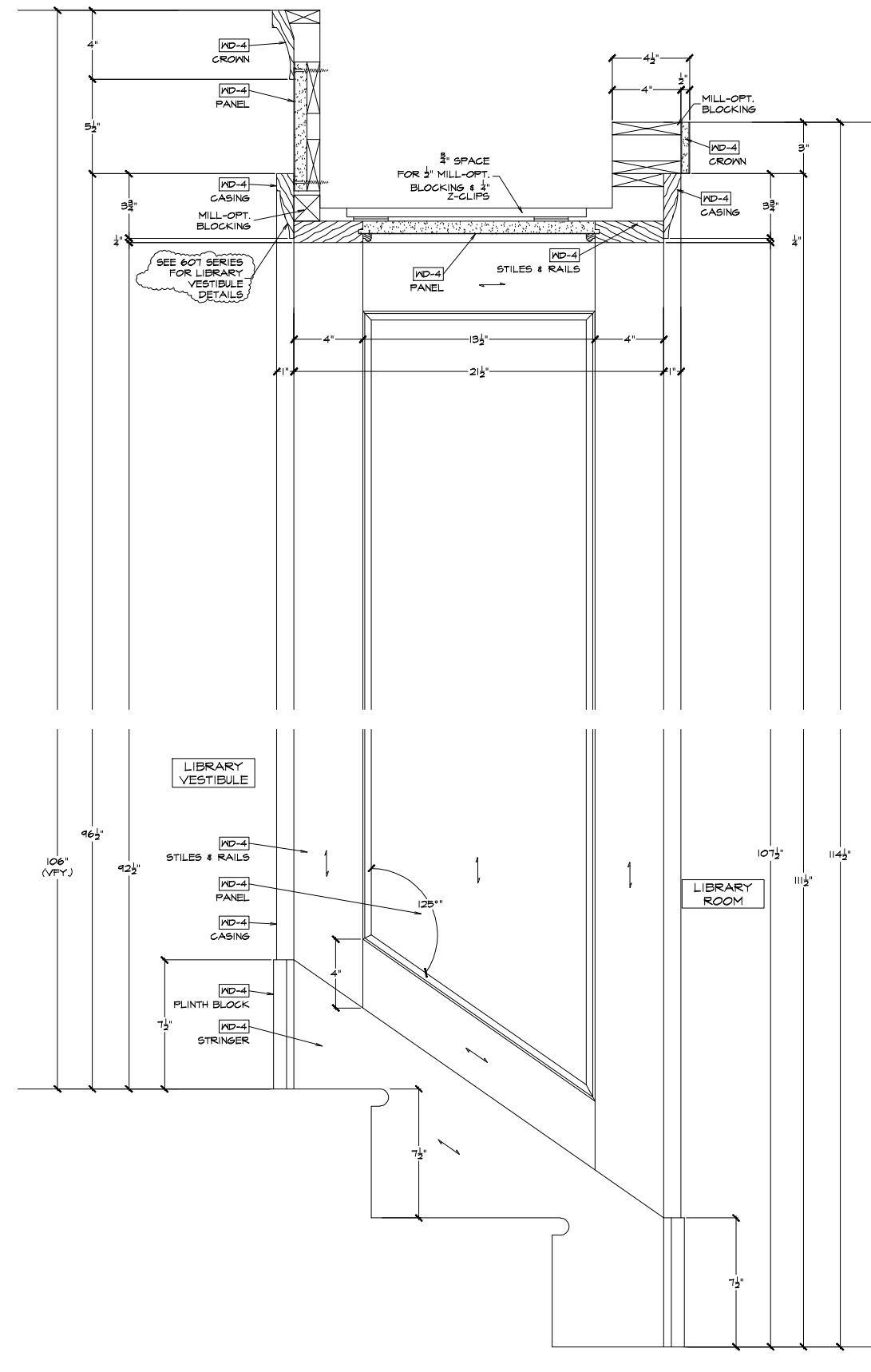




1 001.7 SECTION @ LIBRARY ROOM
SCALE: 3/4" = 12" REF: 18/A148

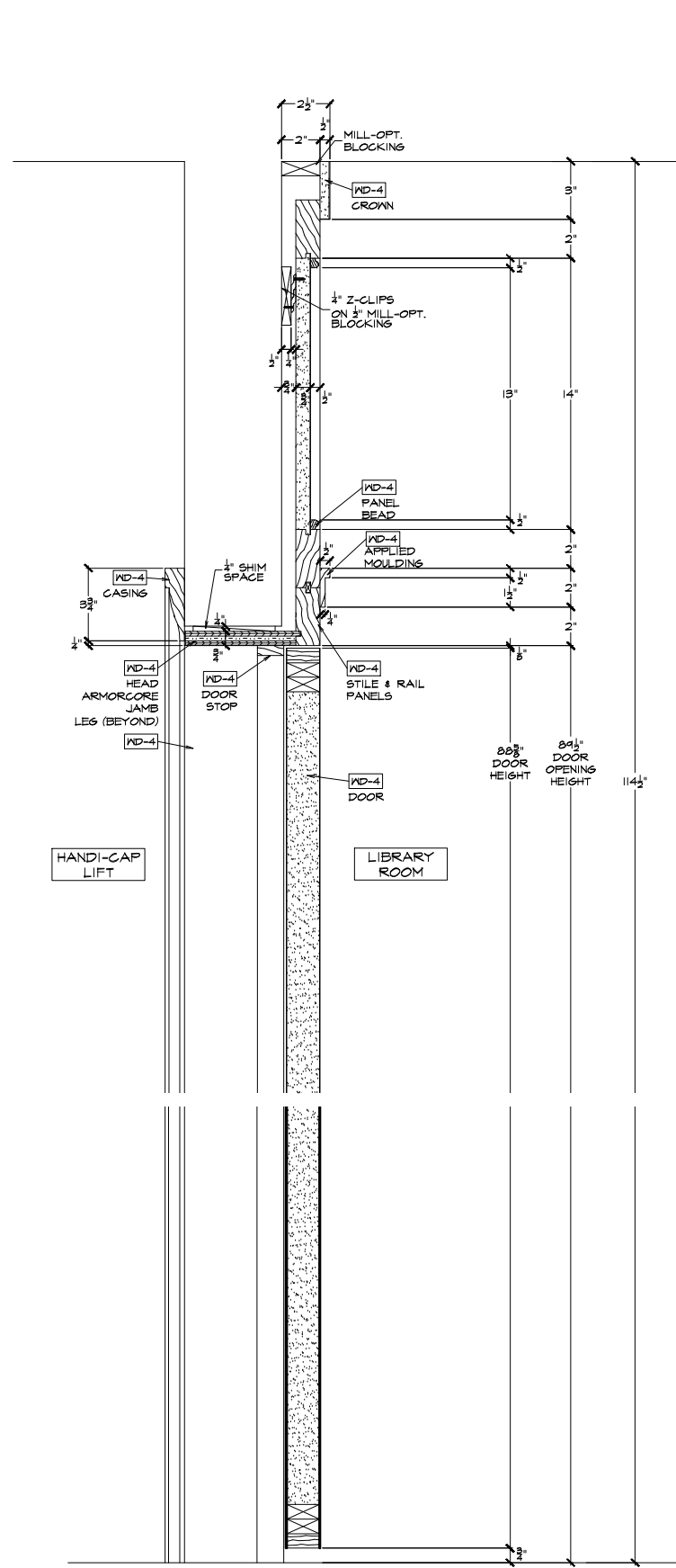


2 001.7 SECTION @ LIBRARY ROOM
SCALE: 3/4" = 12" REF: NONE

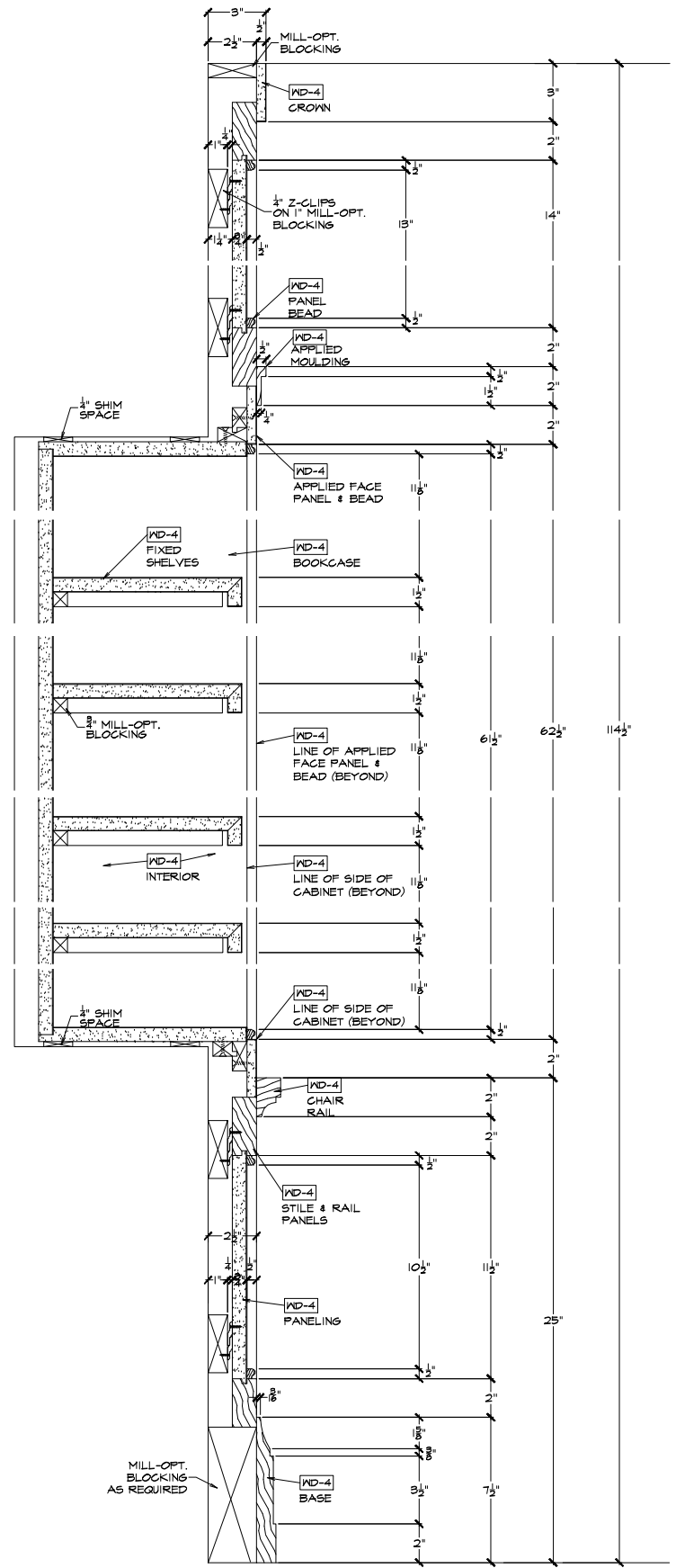


3 001.7 SECTION @ LIBRARY ROOM TO LIBRARY VESTIBULE
SCALE: 3/4" = 12" REF: NONE

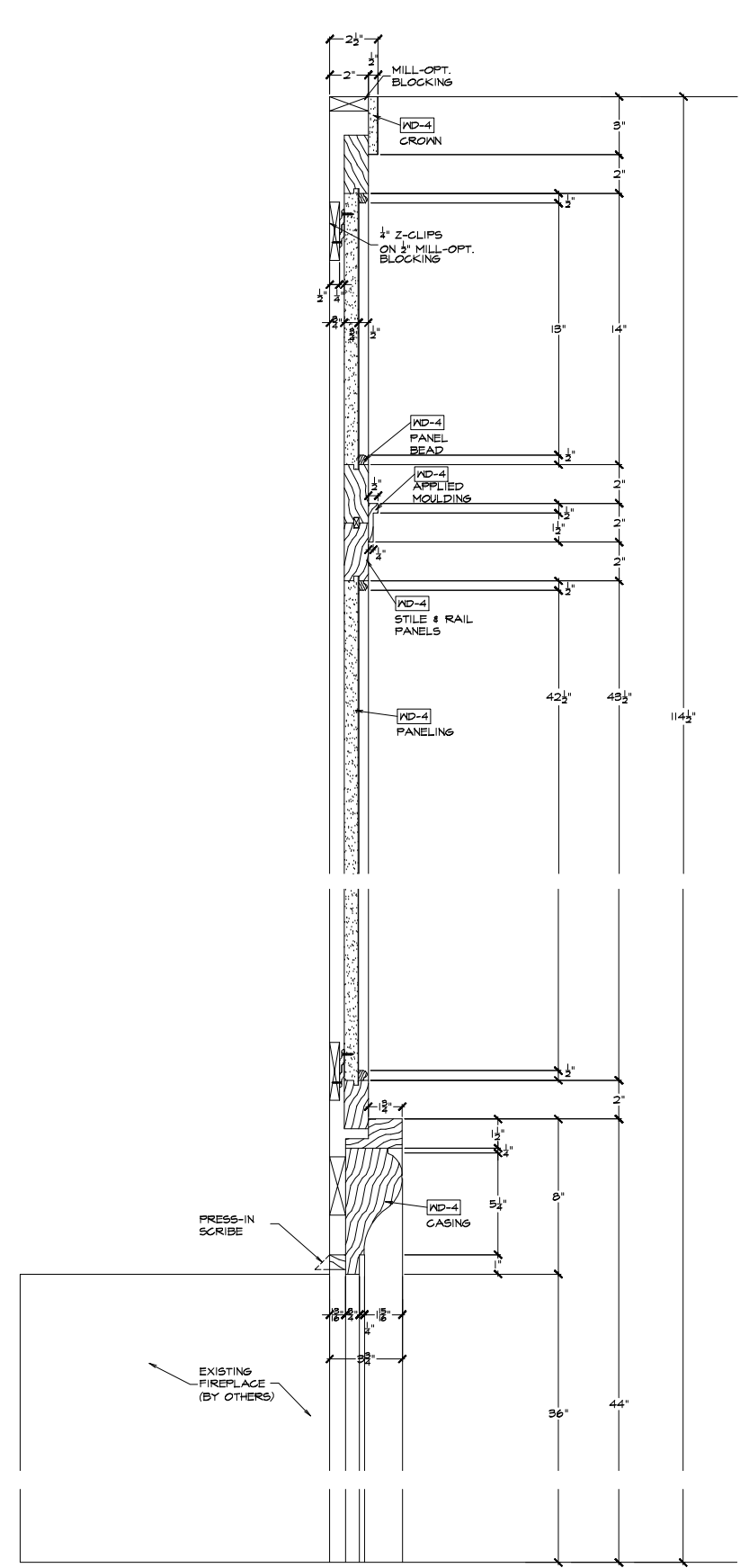




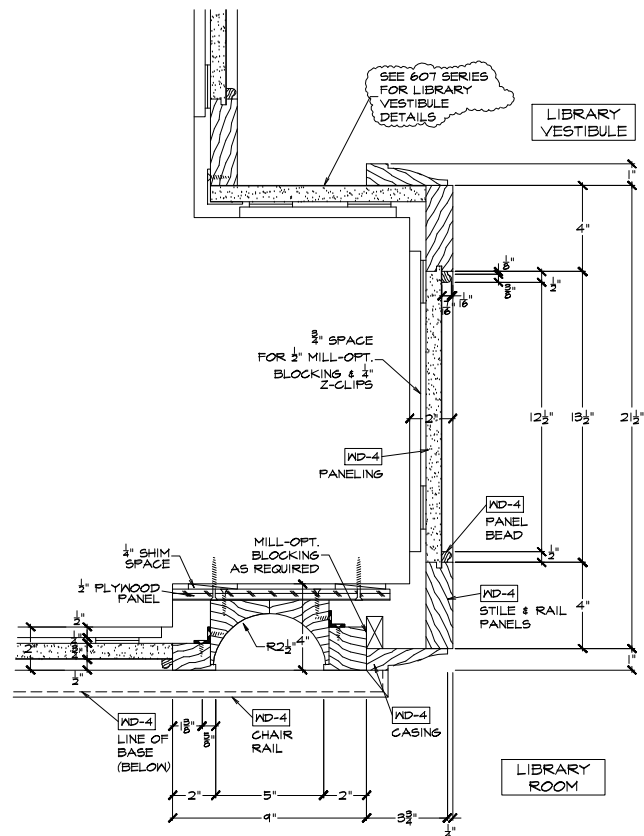
1 001.0 SECTION @ LIBRARY ROOM DOOR
SCALE: 3/4" = 1'-0"
REF: 18/A148



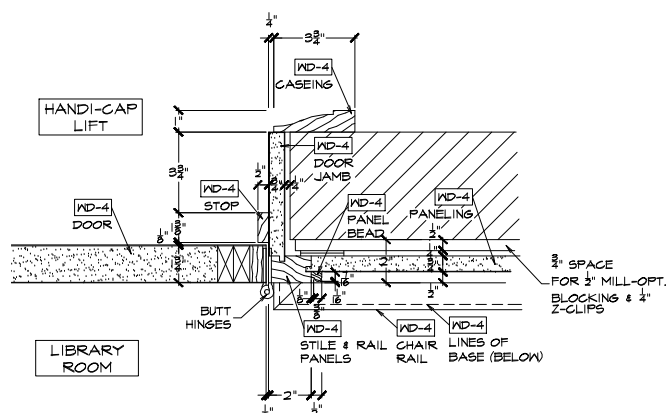
2 001.0 SECTION @ LIBRARY ROOM BOOKCASE
SCALE: 3/4" = 1'-0"
REF: 18/A148



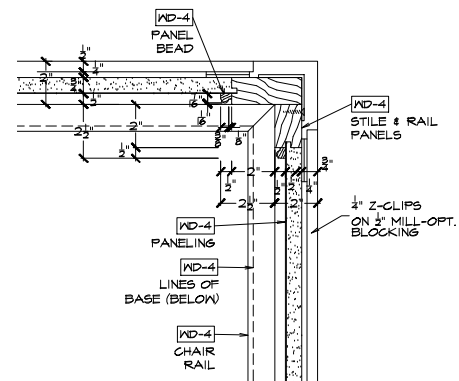
3 001.0 SECTION @ LIBRARY ROOM FIREPLACE
SCALE: 3/4" = 1'-0"
REF: 18/A148



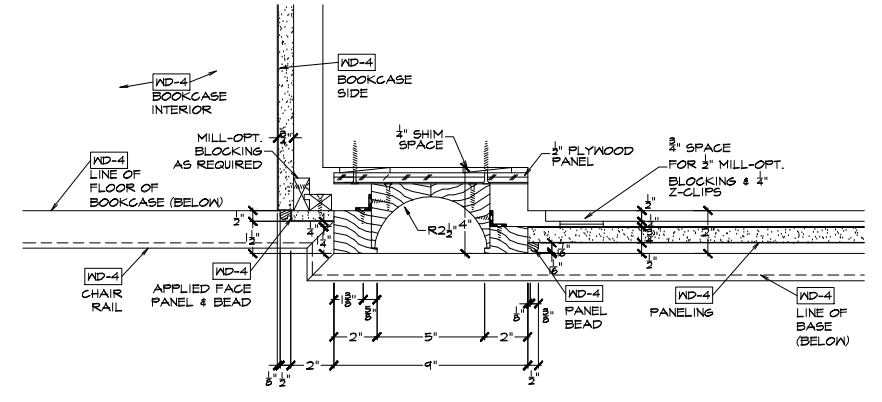
1 001.9 PLAN SECTION @ LIBRARY ROOM TO LIBRARY VESTIBULE
SCALE: 3/8"=1'-0"
REF: NONE



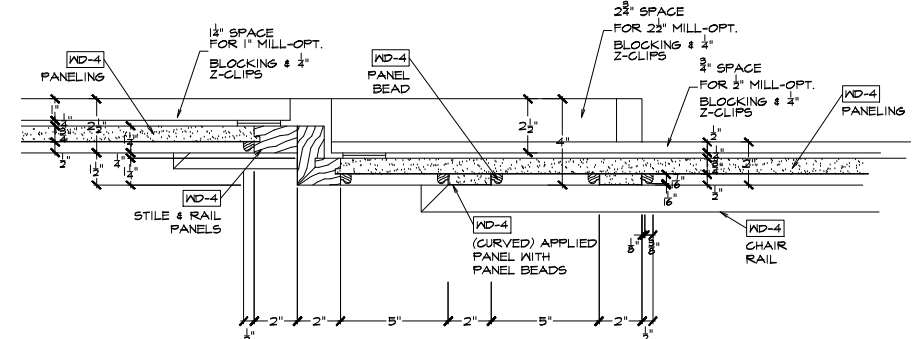
2 001.9 PLAN SECTION @ LIBRARY ROOM DOOR
SCALE: 3/8"=1'-0"
REF: NONE



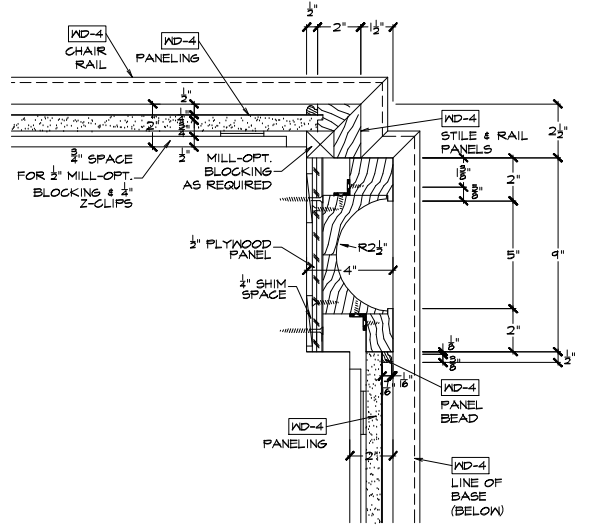
3 001.9 PLAN SECTION @ LIBRARY ROOM INSIDE CORNER
SCALE: 3/8"=1'-0"
REF: NONE



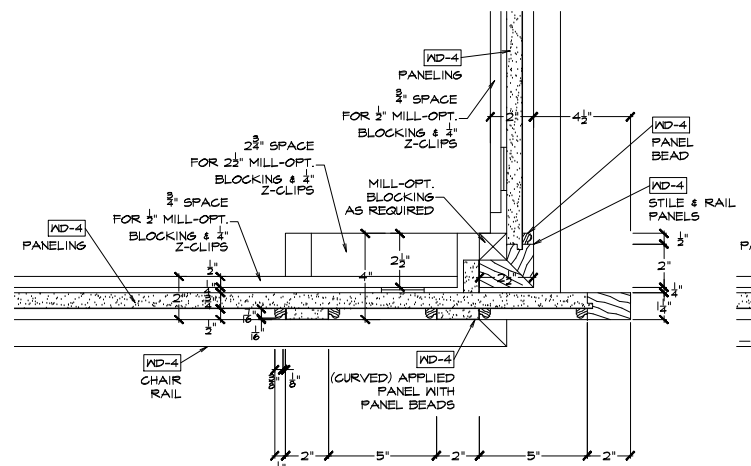
4 001.9 PLAN SECTION @ LIBRARY ROOM
SCALE: 3/8"=1'-0"
REF: NONE



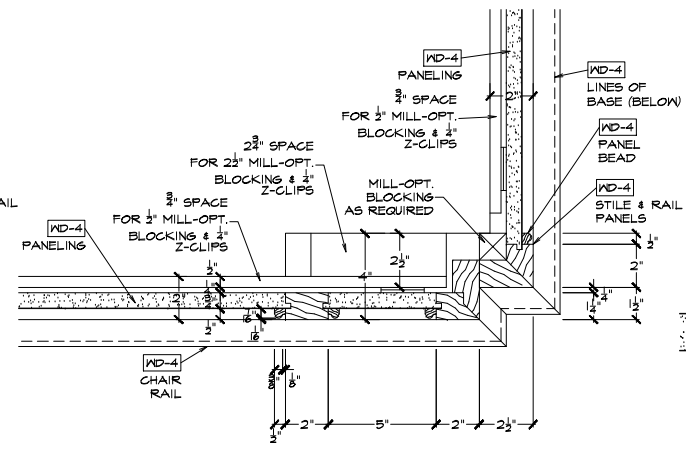
5 001.9 PLAN SECTION @ LIBRARY ROOM
SCALE: 3/8"=1'-0"
REF: NONE



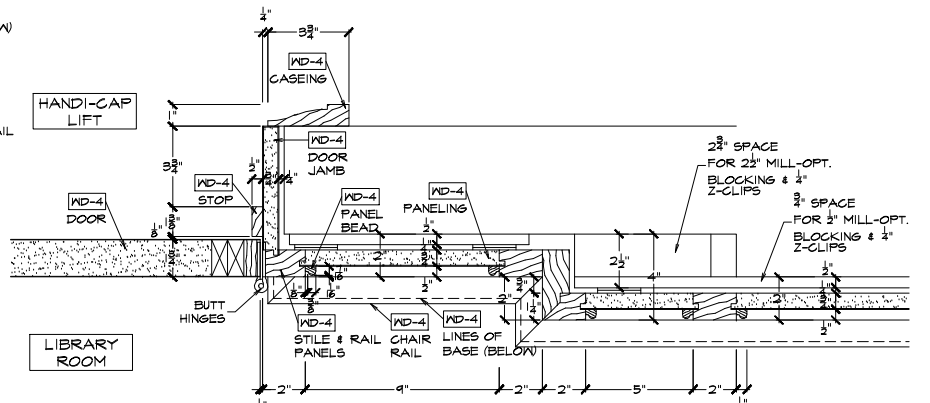
6 001.9 PLAN SECTION @ LIBRARY ROOM
SCALE: 3/8"=1'-0"
REF: NONE



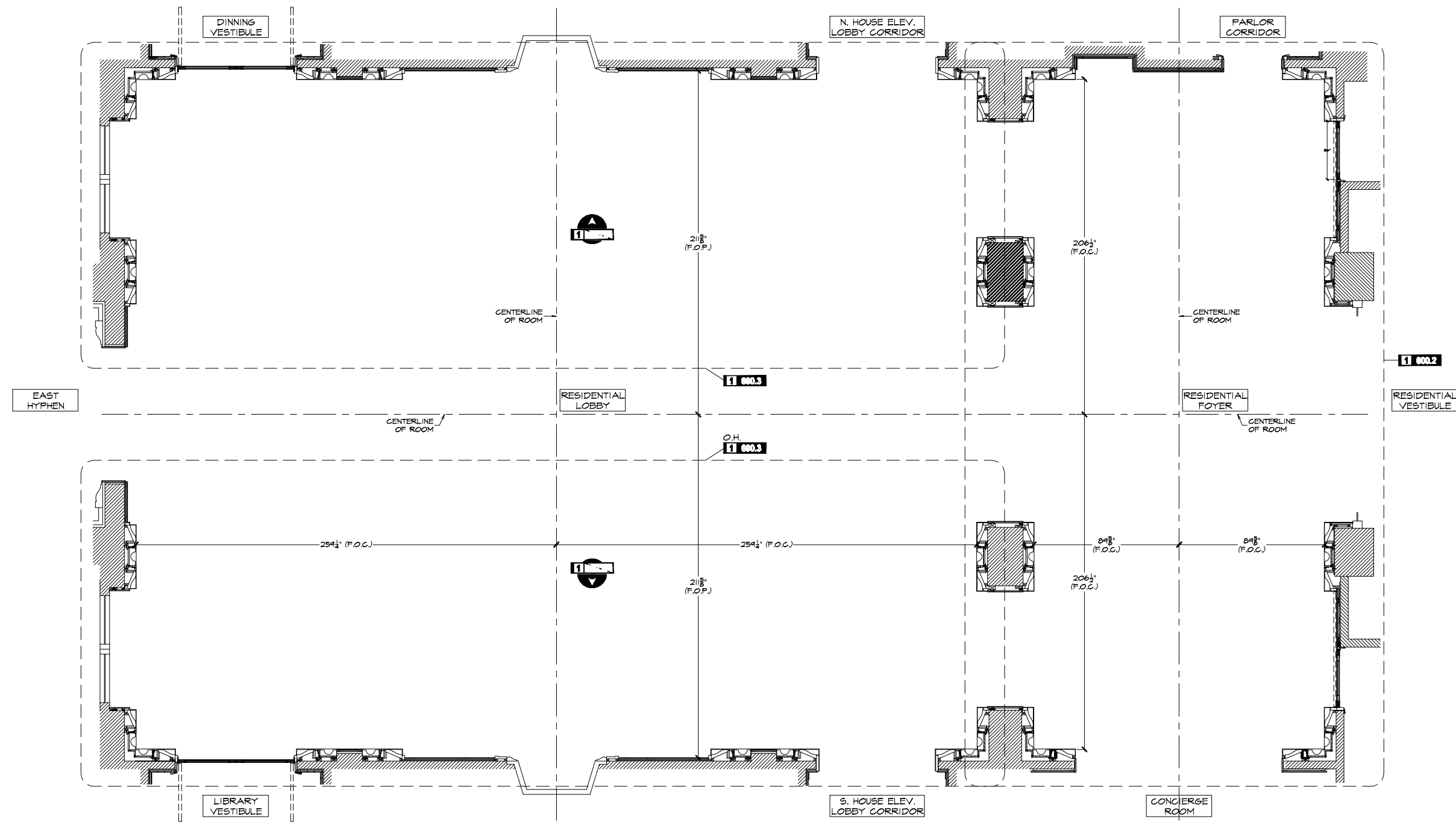
7 001.9 PLAN SECTION @ LIBRARY ROOM
SCALE: 3/8"=1'-0"
REF: NONE



8 001.9 PLAN SECTION @ LIBRARY ROOM
SCALE: 3/8"=1'-0"
REF: NONE



9 001.9 PLAN SECTION @ LIBRARY ROOM
SCALE: 3/8"=1'-0"
REF: NONE



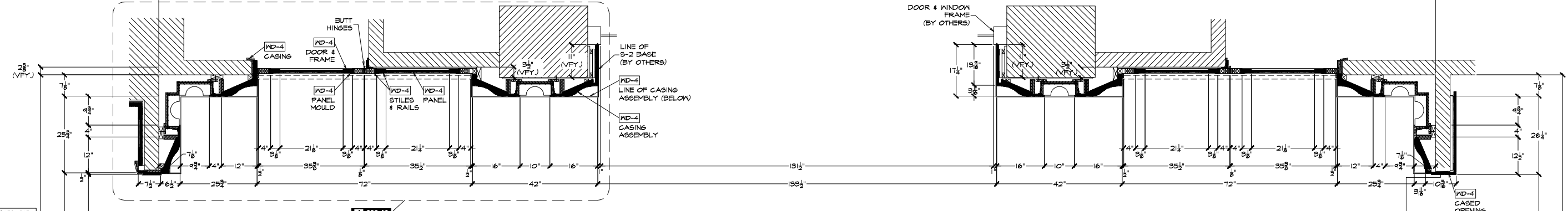
F.O.C. = FACE OF CASING
 F.O.P. = FACE OF PANELING

1 000.1 PLAN @ RESIDENTIAL FOYER/LOBBY
 SCALE: 3/8" = 12" 1/A-145 & 1/A-146

RESIDENTIAL VESTIBULE

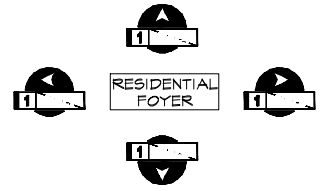
427 1/2" (VFY.)

DOOR & WINDOW FRAME (BY OTHERS)



PARLOR CORRIDOR

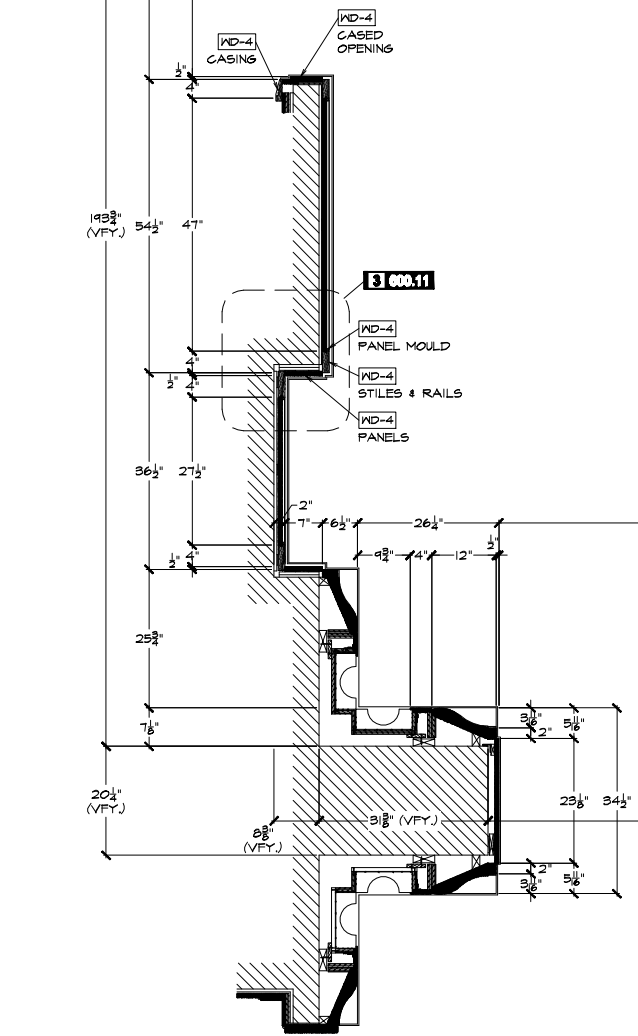
11 600.10



RESIDENTIAL FOYER

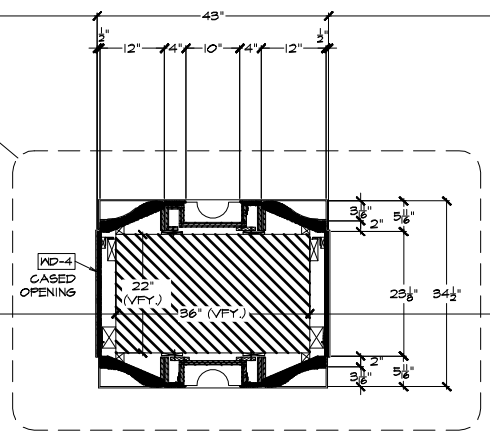
LINE OF FRONT OF CONCIERGE DESK (SEE 801 SERIES FOR DETAILS)

CONCIERGE ROOM

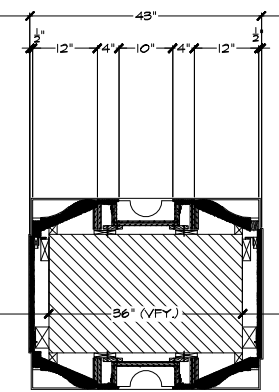


13 600.11

2 600.11



RESIDENTIAL LOBBY



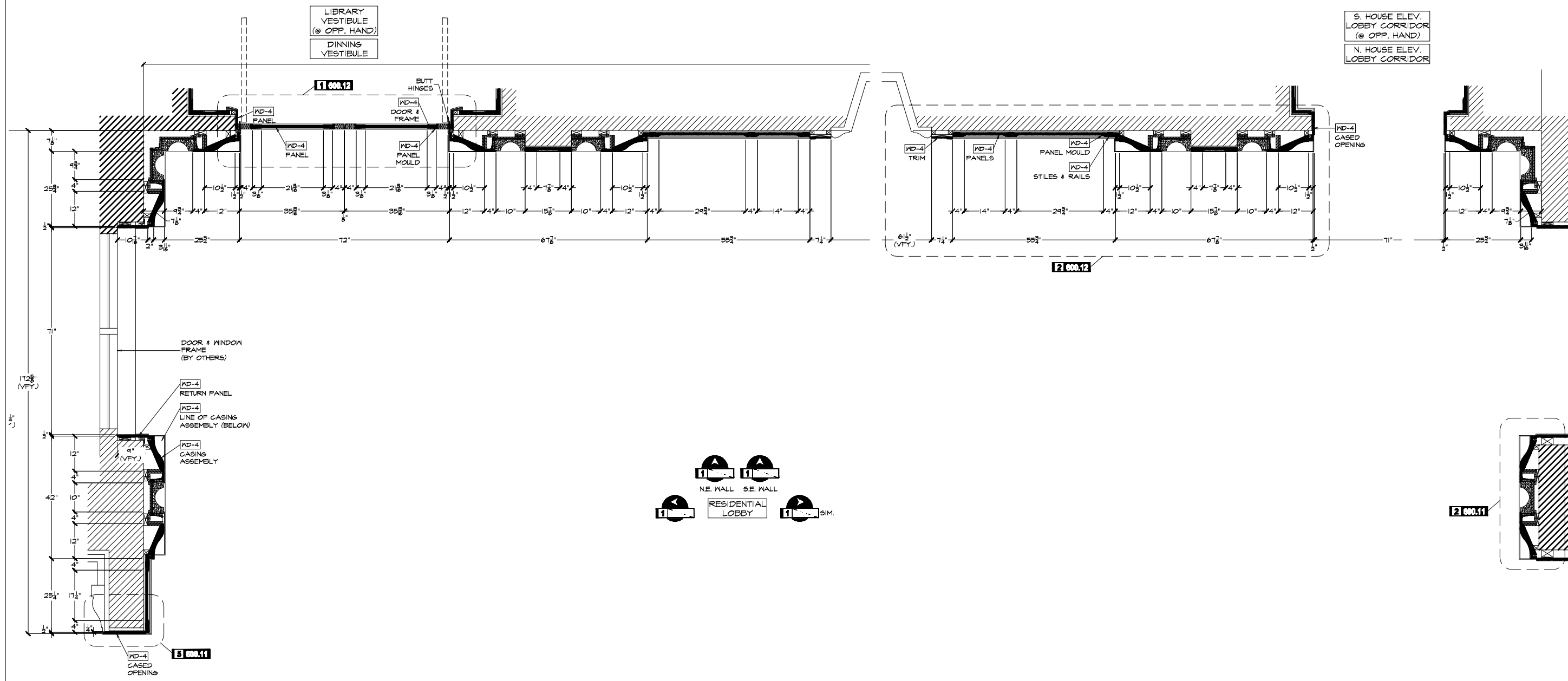
11 600.11

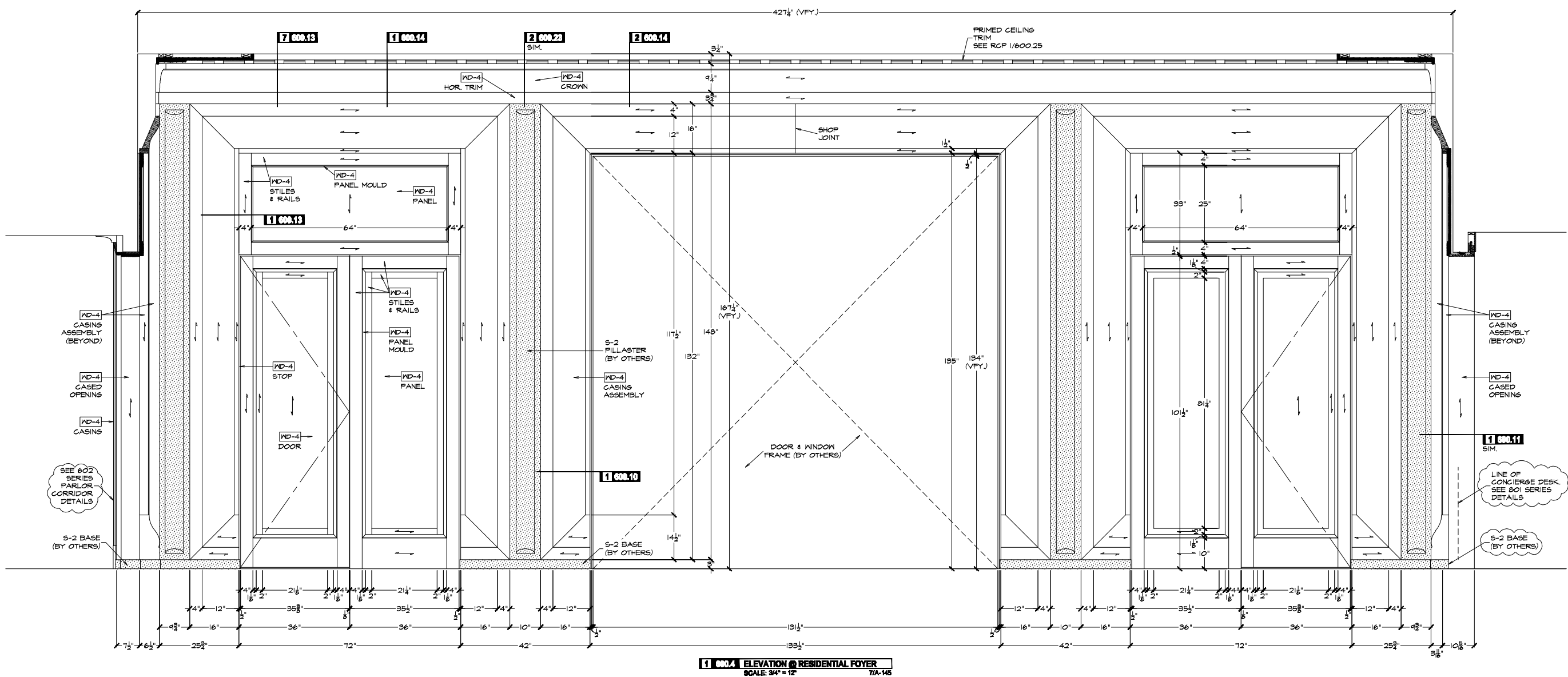
SEE 608 SERIES FOR CONCIERGE DETAILS

N. HOUSE ELEV. LOBBY CORRIDOR

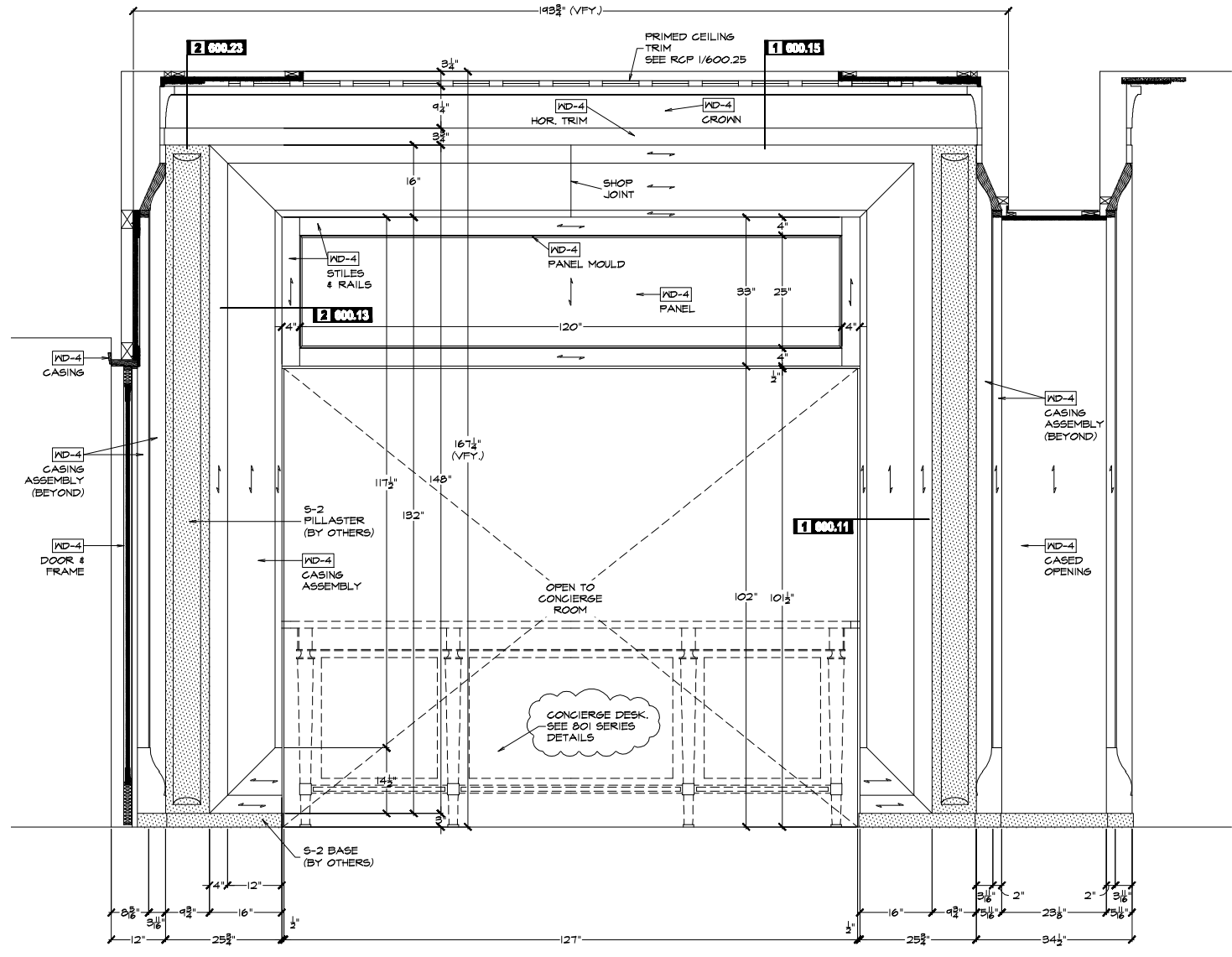
S. HOUSE ELEV. LOBBY CORRIDOR

1 600.2 ENLARGED PLAN @ RESIDENTIAL FOYER SCALE: 3/4" = 12" 1/A-145

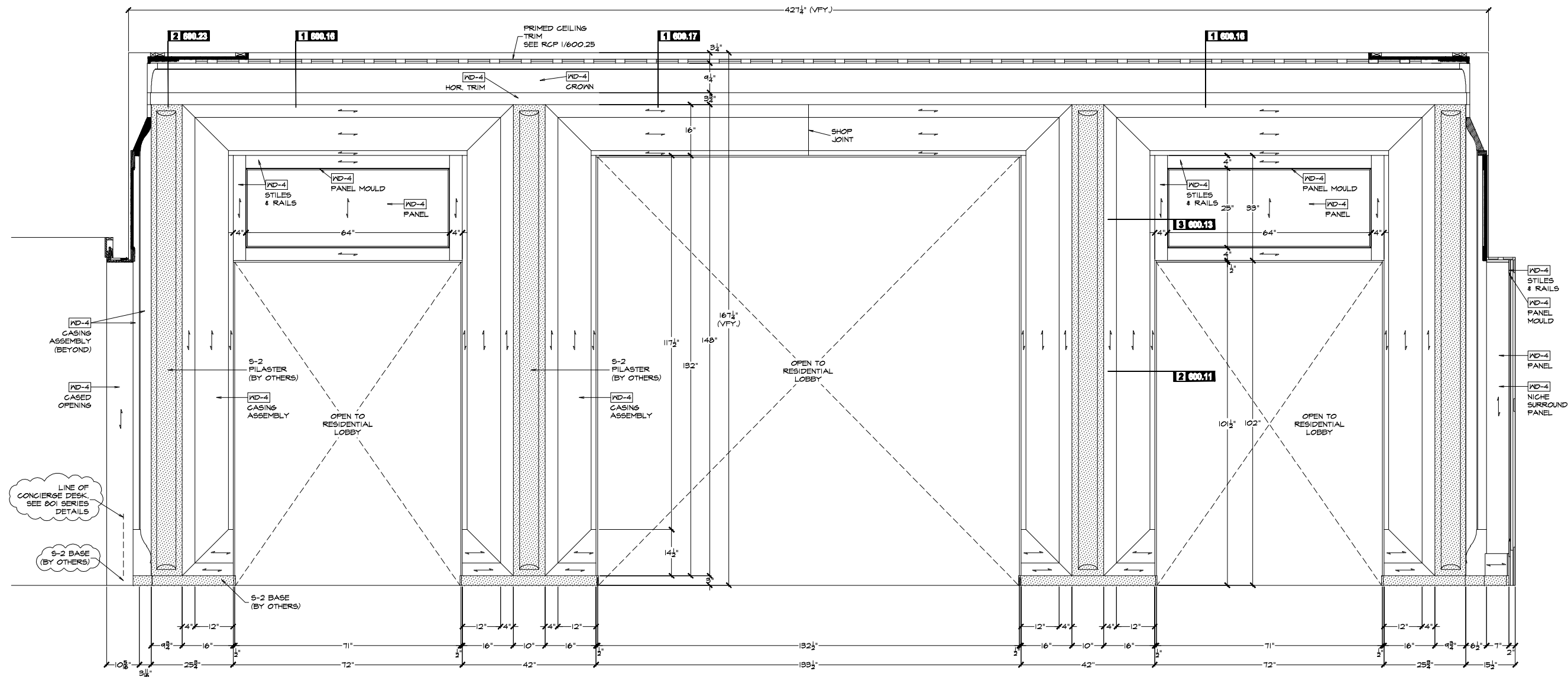




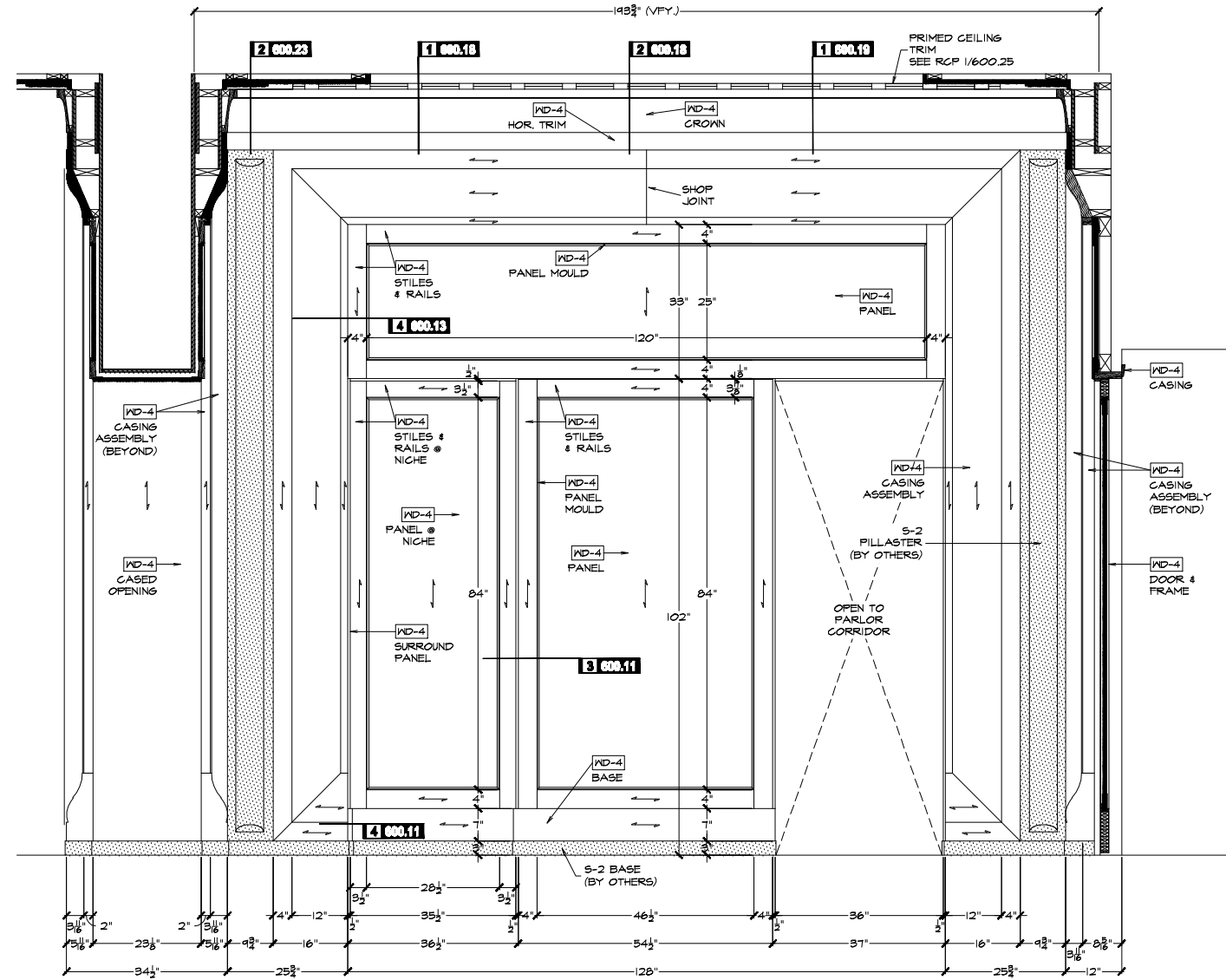
1 600.1 ELEVATION @ RESIDENTIAL FOYER
SCALE: 3/4" = 12" 7/A-145



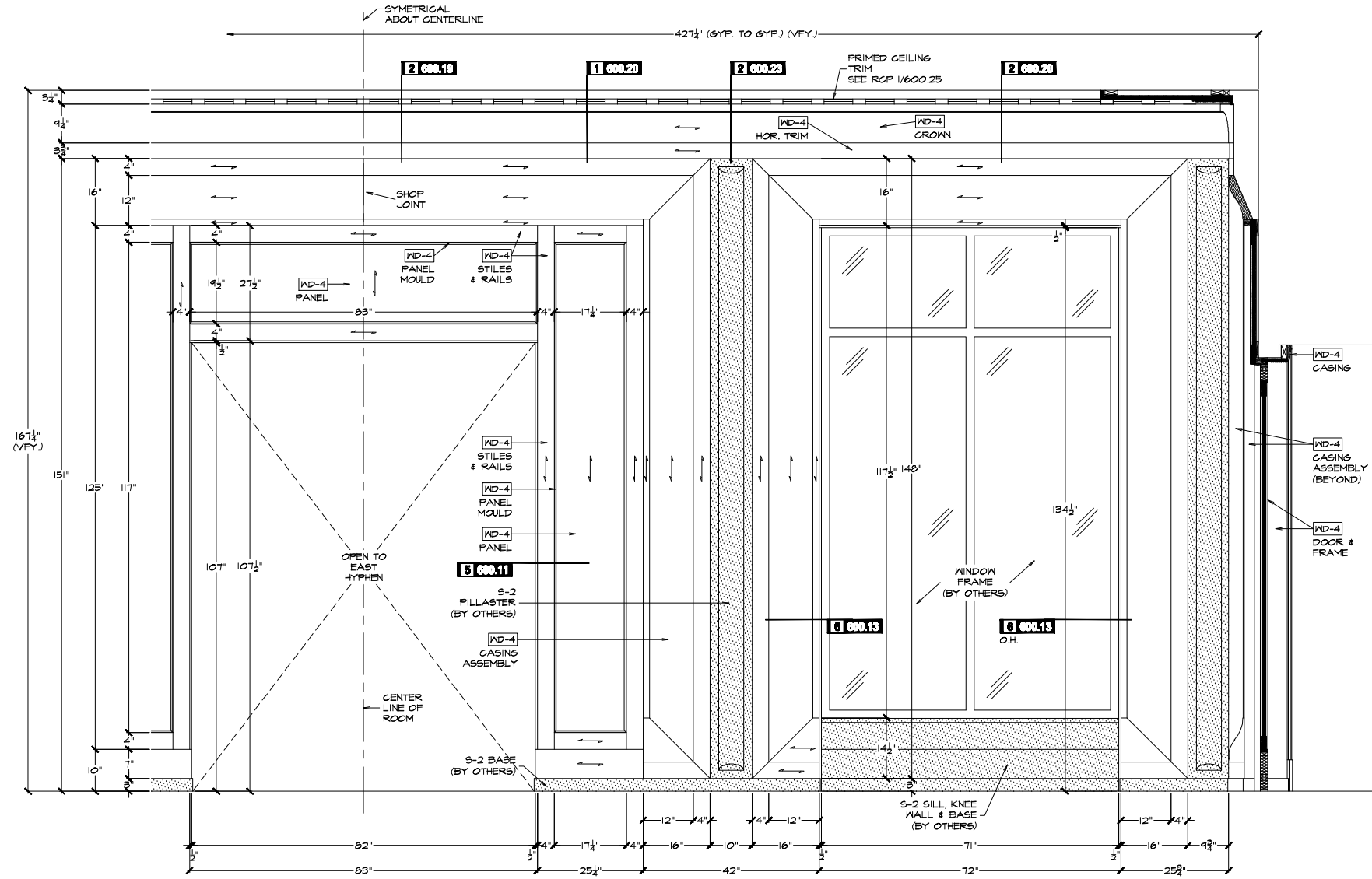
1 000.5 ELEVATION @ RESIDENTIAL FOYER
 SCALE: 3/4" = 12"
 7/A-145



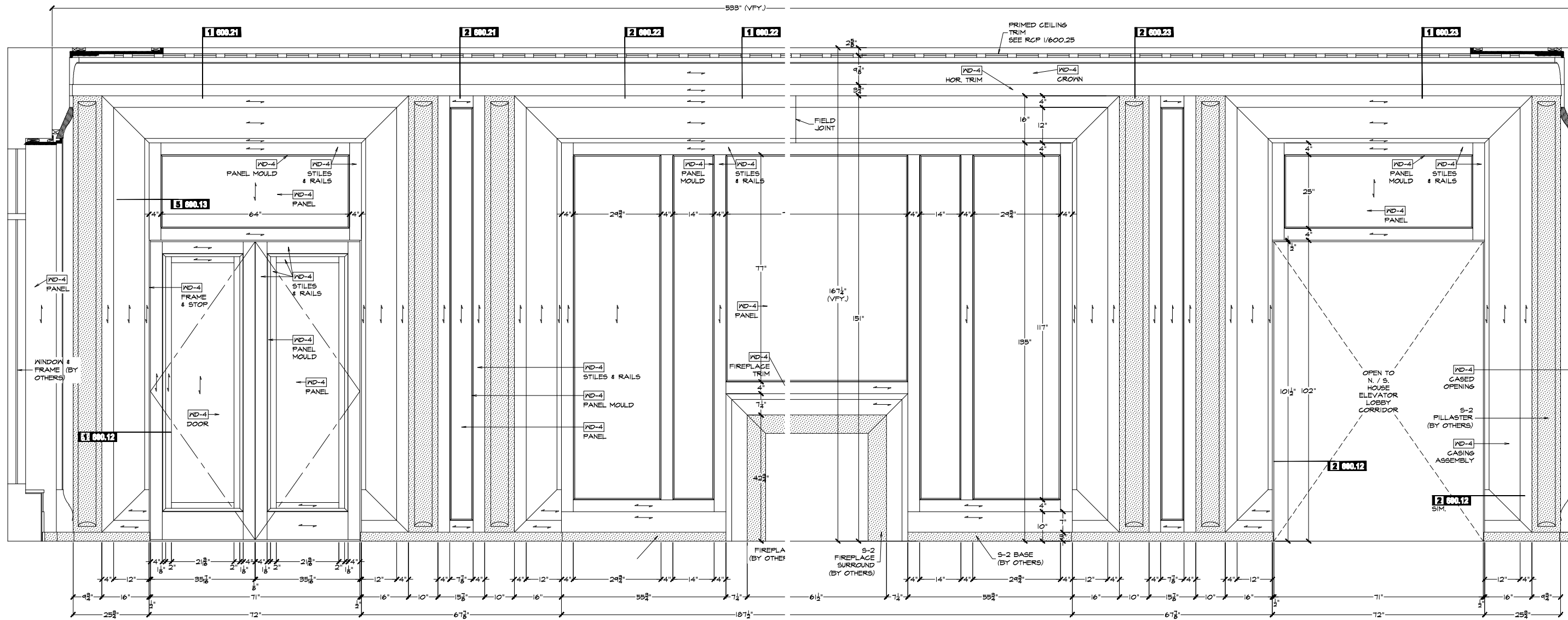
1 600.6 ELEVATION @ RESIDENTIAL FOYER
SCALE: 3/4" = 12" 7/A-145



1 000.7 ELEVATION @ RESIDENTIAL FOYER
 SCALE: 3/4" = 12" 7/A-145



1 000.0 ELEVATION @ RESIDENTIAL LOBBY
 SCALE: 3/4" = 1'-0"
 3/A-148



1 000.1 LAYOUT OF LLOBBY WALL
SCALE 3/4" = 1'
4/23/16

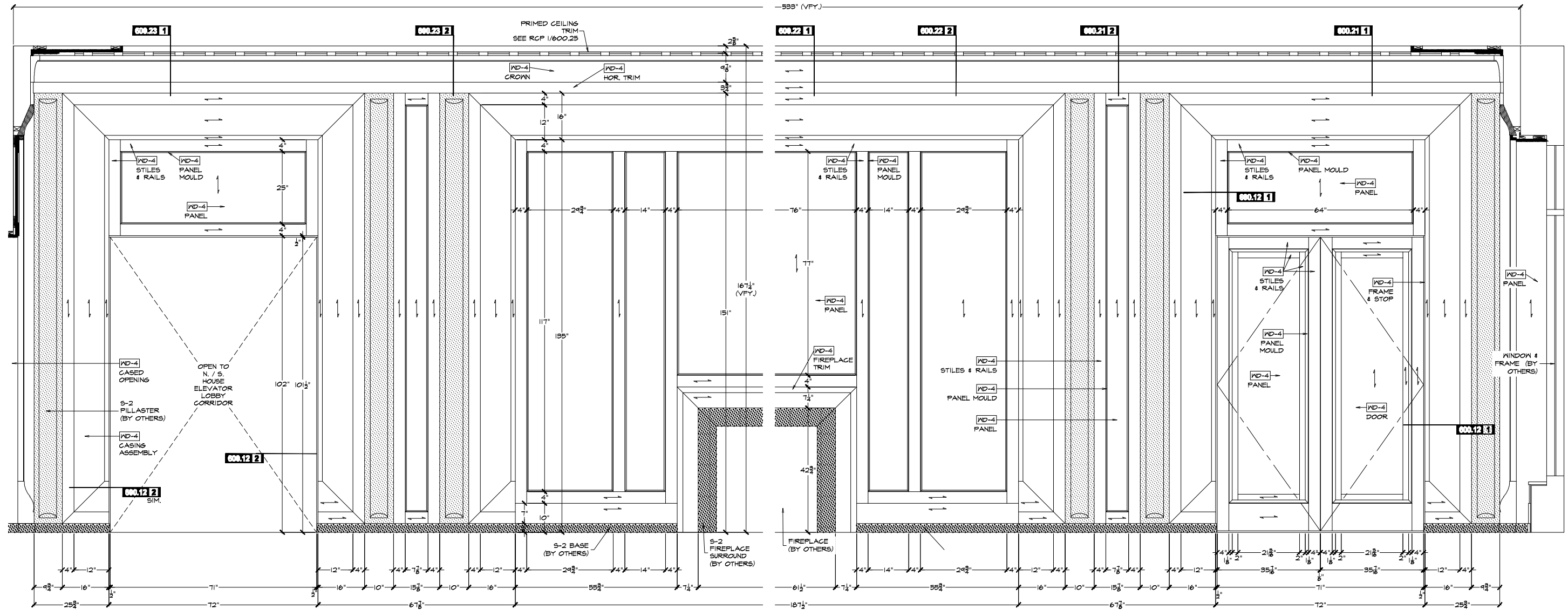
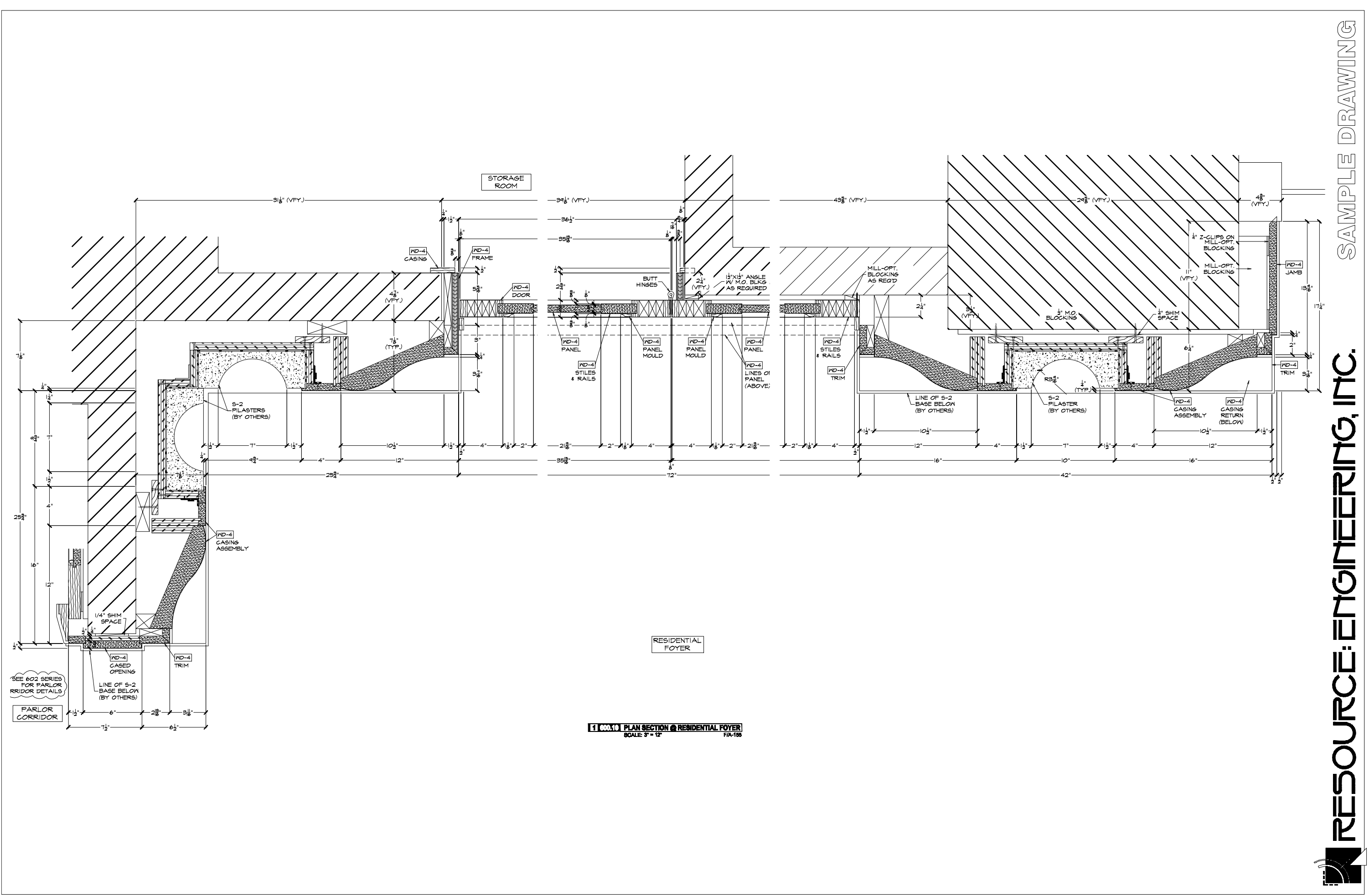
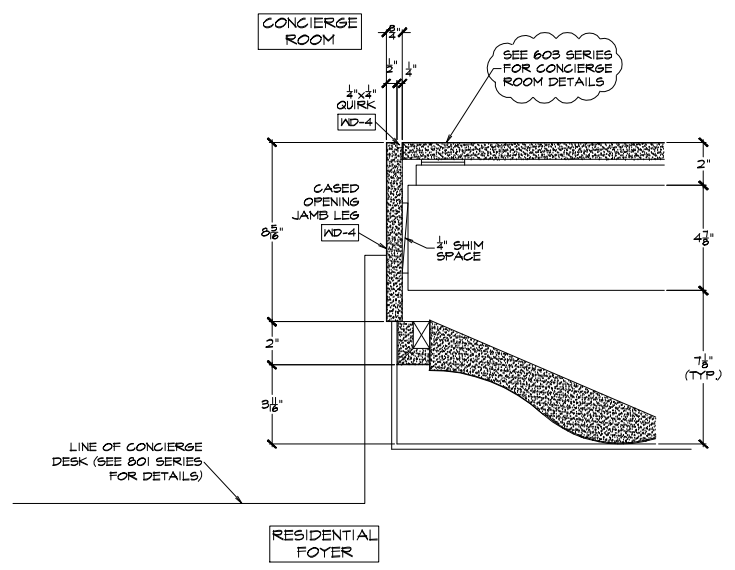


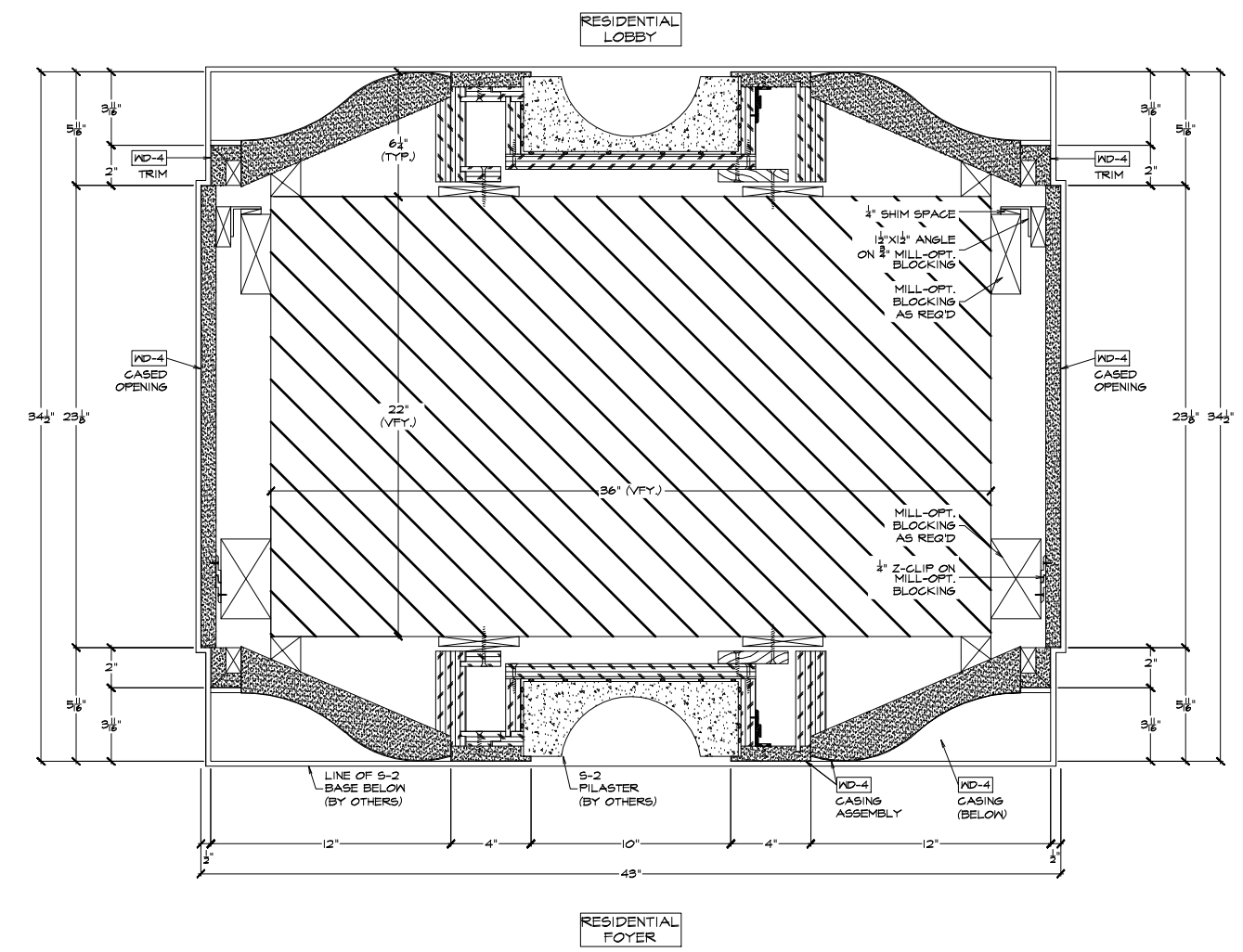
FIGURE 1 (WALL) SCALE 1/4" = 1'-0"



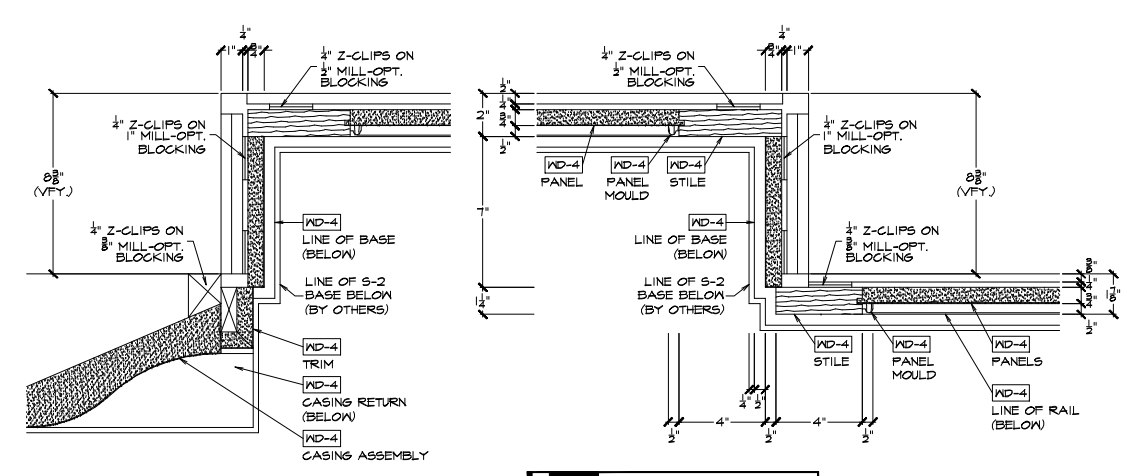




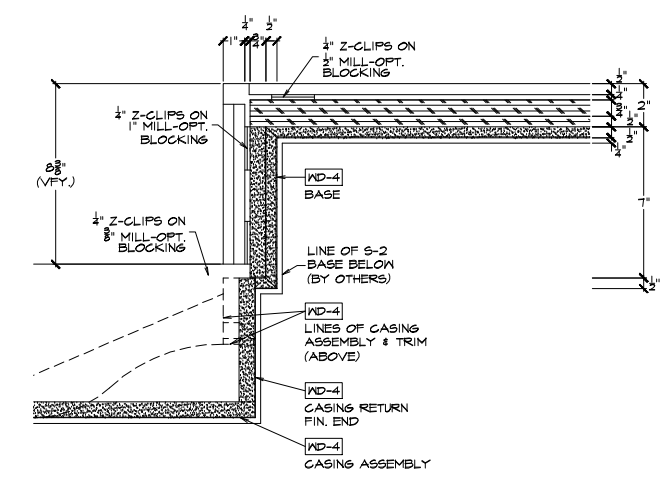
1 600.11 DETAIL @ RESIDENTIAL FOYER
SCALE: 3" = 12" REF: NONE



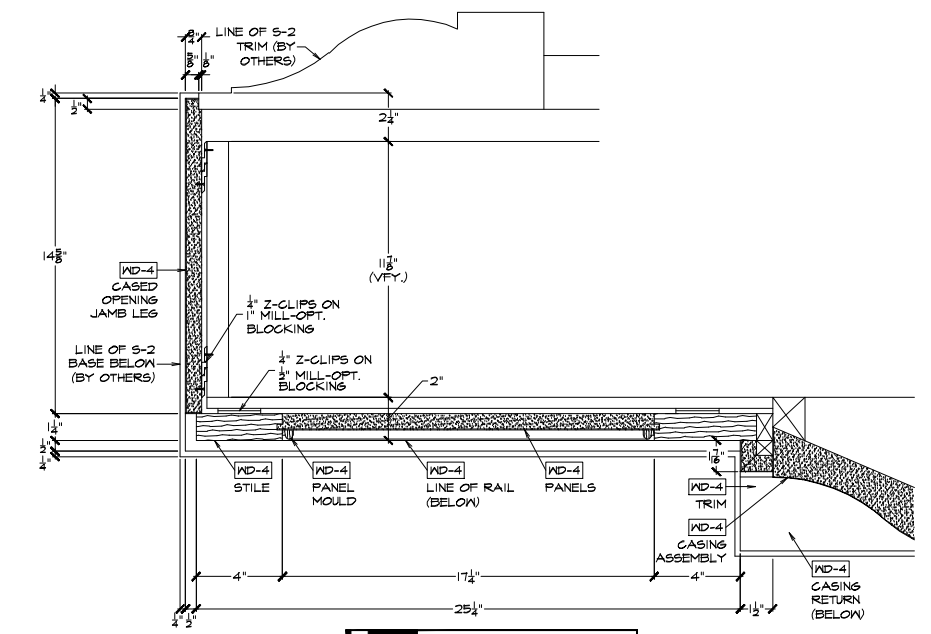
2 600.11 DETAIL @ RESIDENTIAL FOYER & LOBBY
SCALE: 3" = 12" REF: NONE



3 600.11 DETAIL @ RESIDENTIAL FOYER
SCALE: 3" = 12" REF: FIA-155

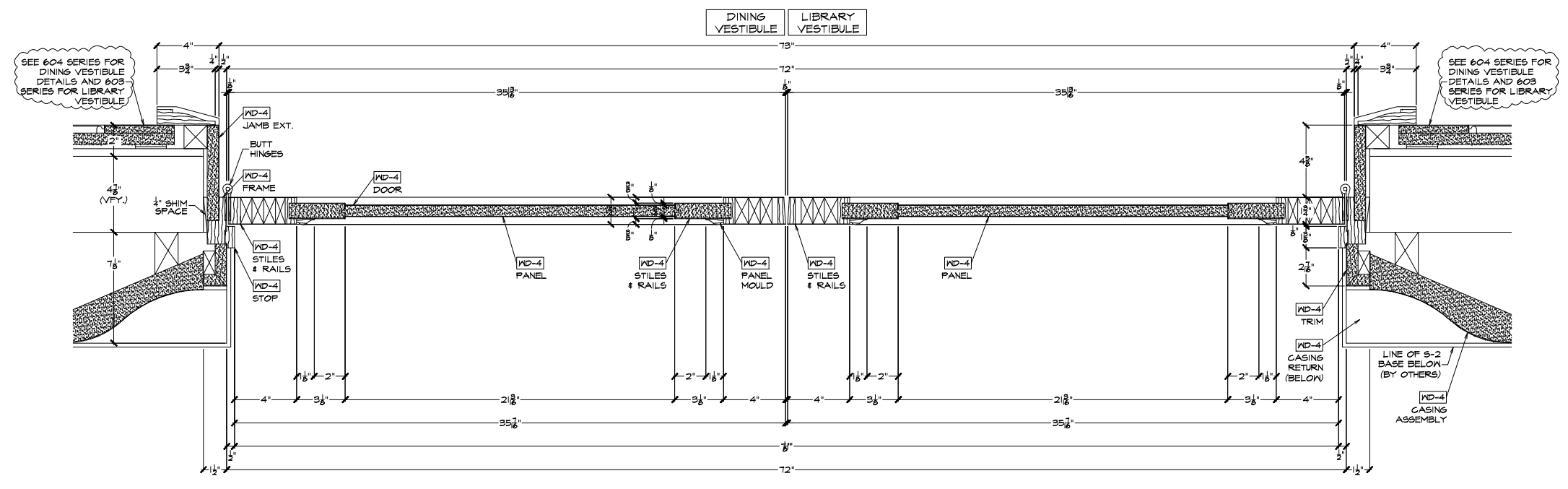


4 600.11 DETAIL @ RESIDENTIAL FOYER
SCALE: 3" = 12" REF: FIA-155

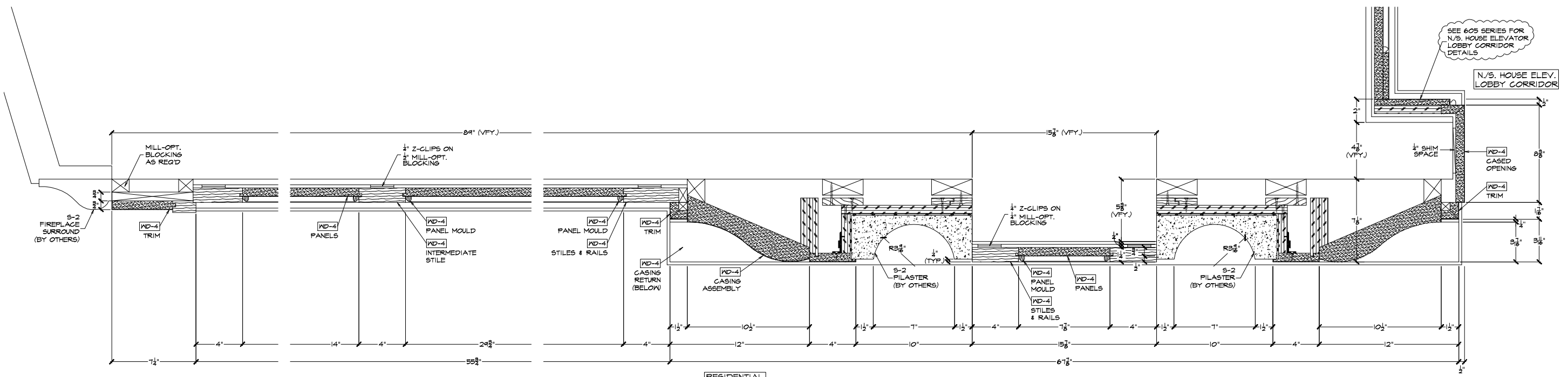


5 600.11 DETAIL @ RESIDENTIAL LOBBY
SCALE: 3" = 12" REF: FIA-155

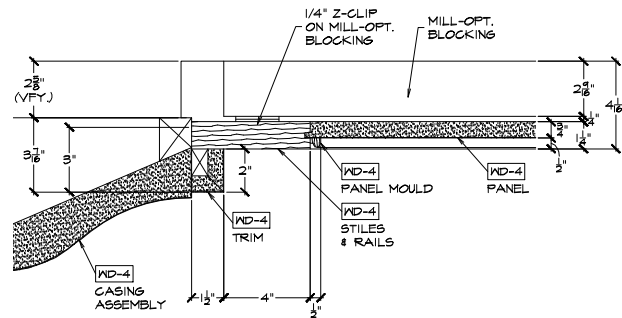




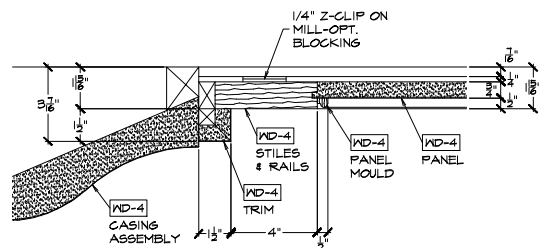
RESIDENTIAL LOBBY
1 000.12 PLAN SECTION @ RESIDENTIAL LOBBY
SCALE: 3" = 12" A&C/A-194



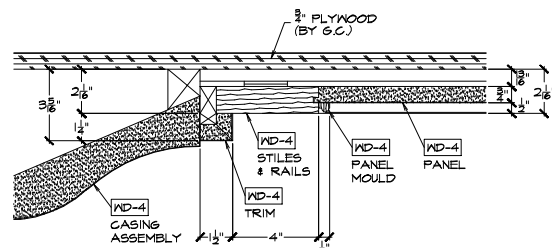
RESIDENTIAL LOBBY
2 000.12 PLAN SECTION @ RESIDENTIAL LOBBY
SCALE: 3" = 12" A&C/A-194



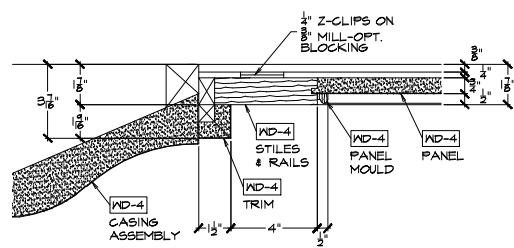
1 000.13 PLAN SECTION @ RESIDENTIAL FOYER
SCALE: 1 1/2" = 12" NONE



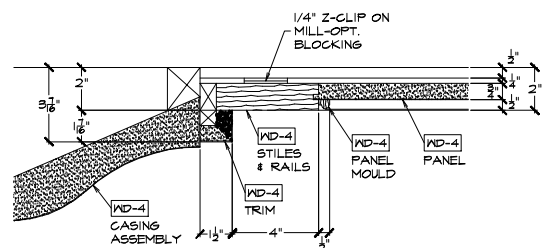
2 000.13 DETAIL @ RESIDENTIAL FOYER
SCALE: 3" = 12" NONE



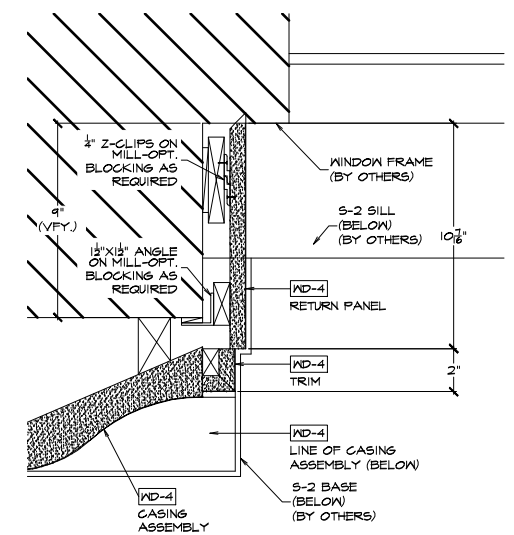
3 000.13 DETAIL @ RESIDENTIAL FOYER
SCALE: 3" = 12" NONE



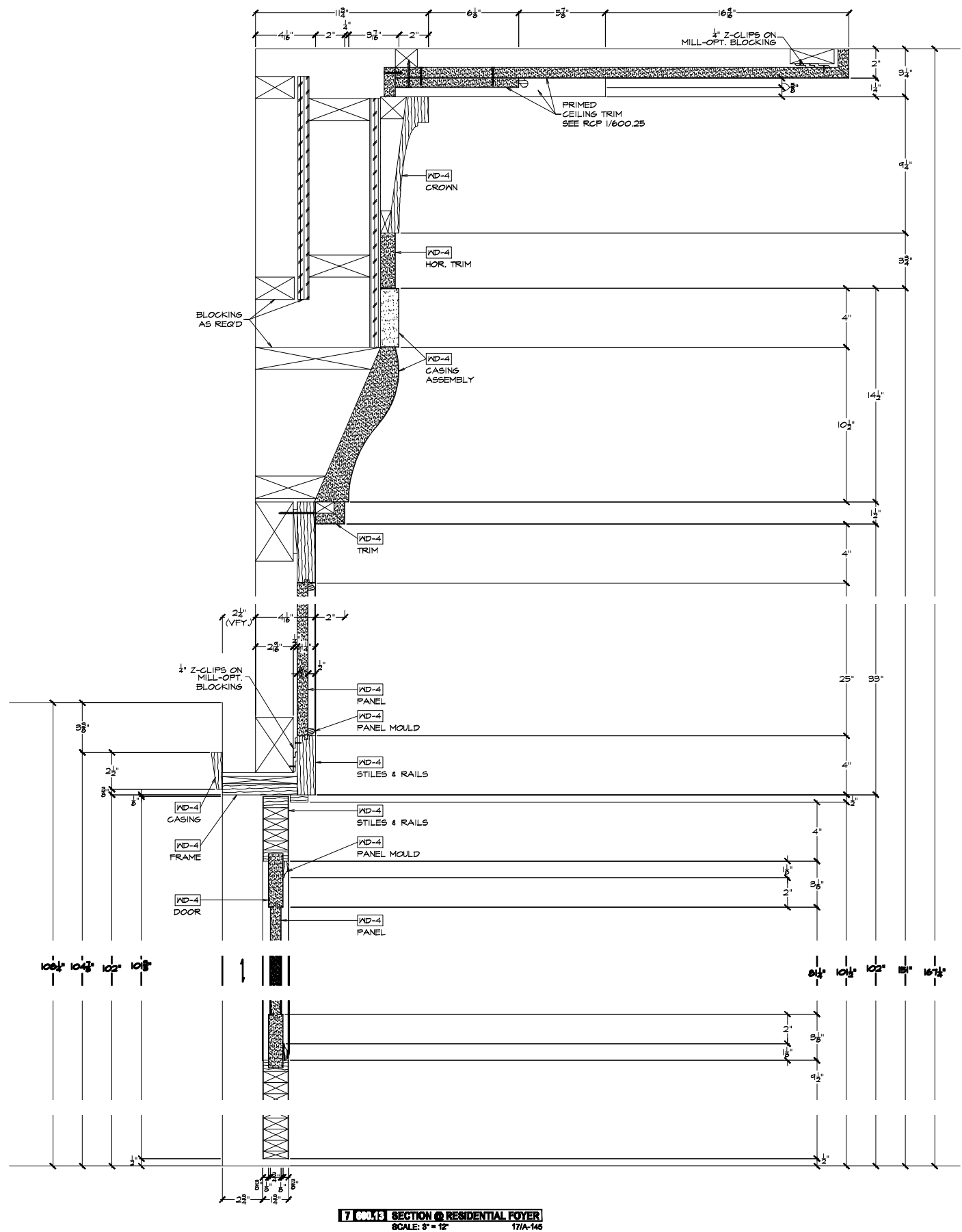
4 000.13 DETAIL @ RESIDENTIAL FOYER
SCALE: 3" = 12" NONE



5 000.13 DETAIL @ RESIDENTIAL LOBBY
SCALE: 3" = 12" NONE

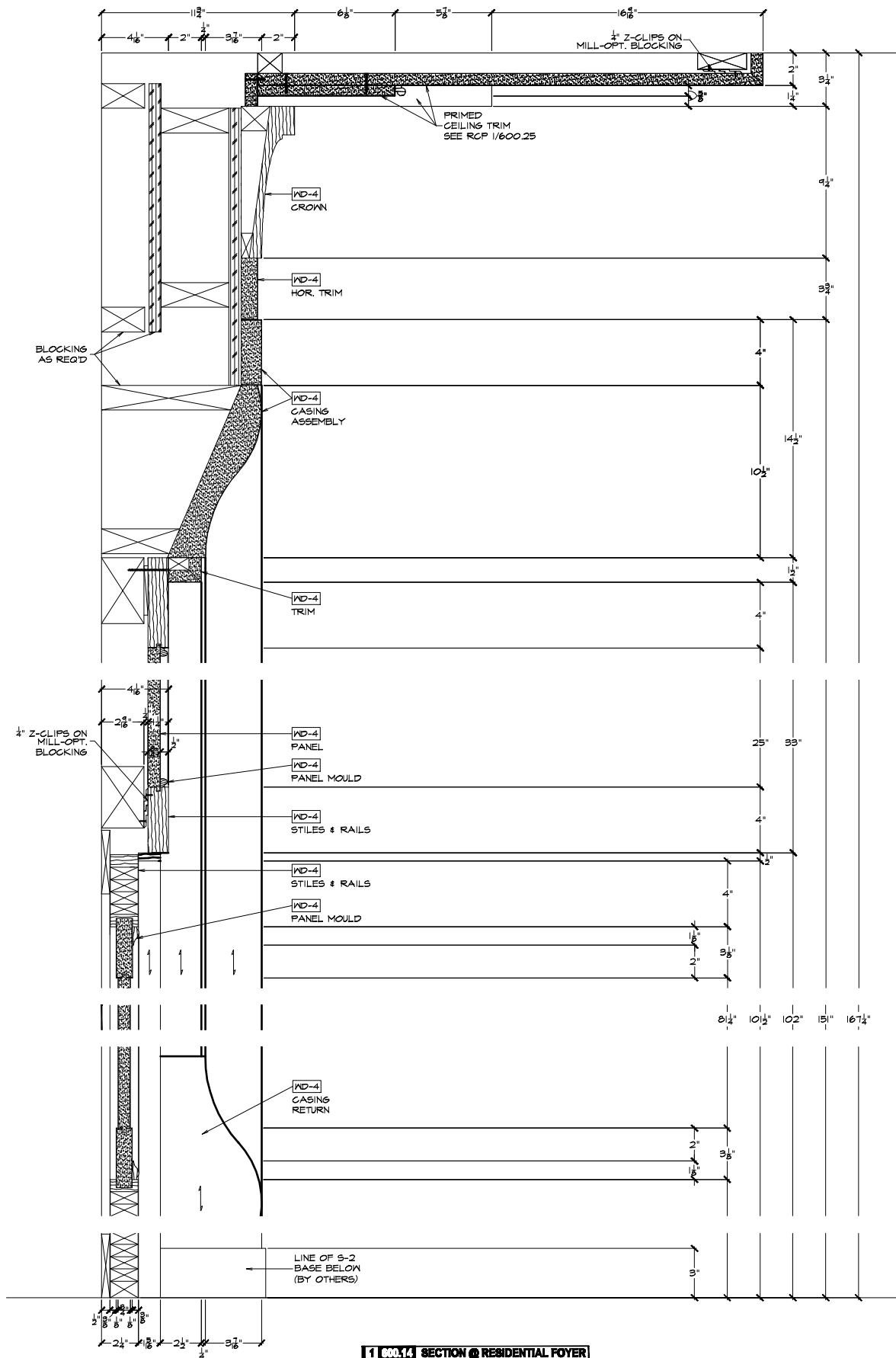


6 000.13 DETAIL @ RESIDENTIAL LOBBY
SCALE: 3" = 12" REF: FIA-155

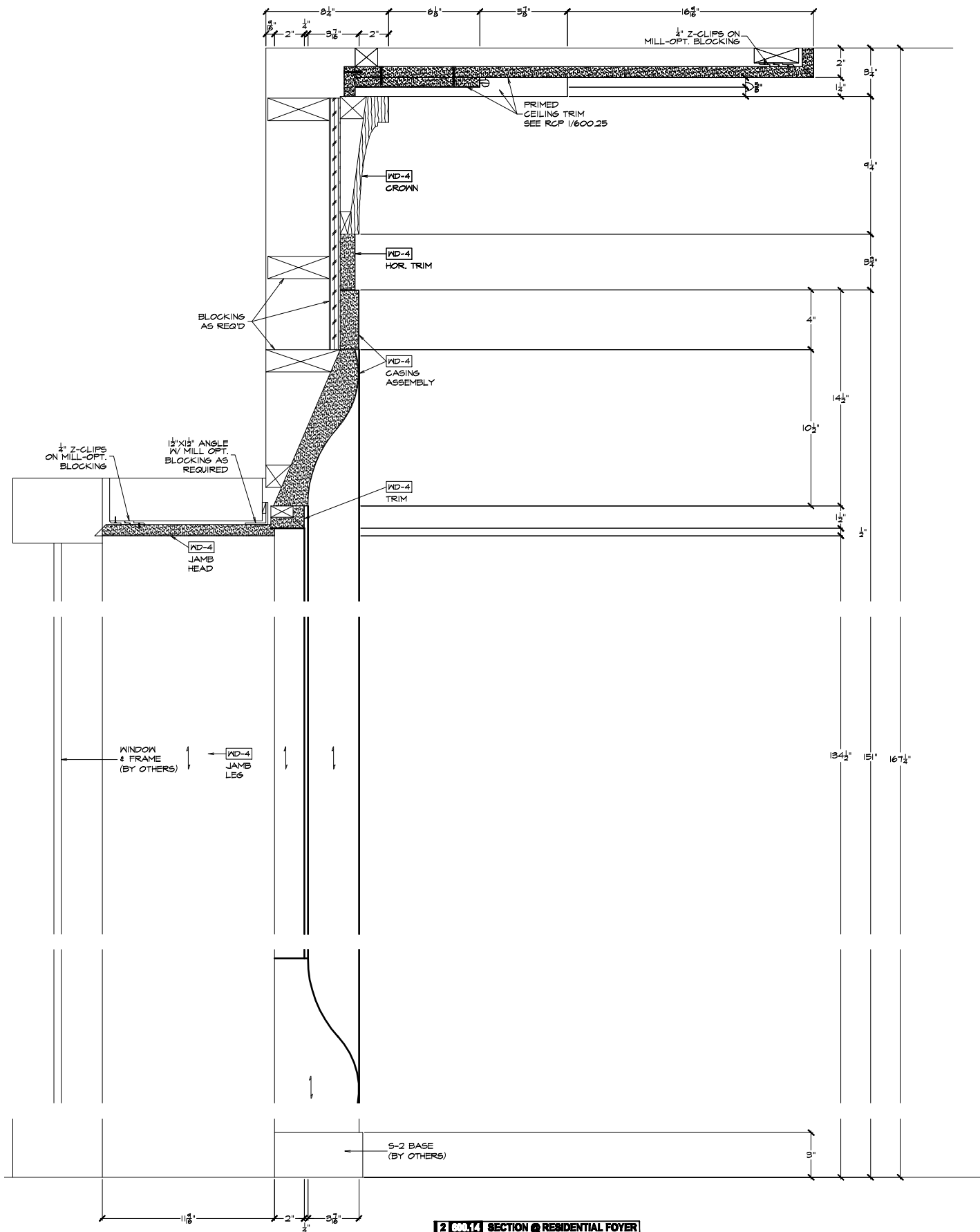


7 000.13 SECTION @ RESIDENTIAL FOYER
SCALE: 3" = 12" 17/A-148



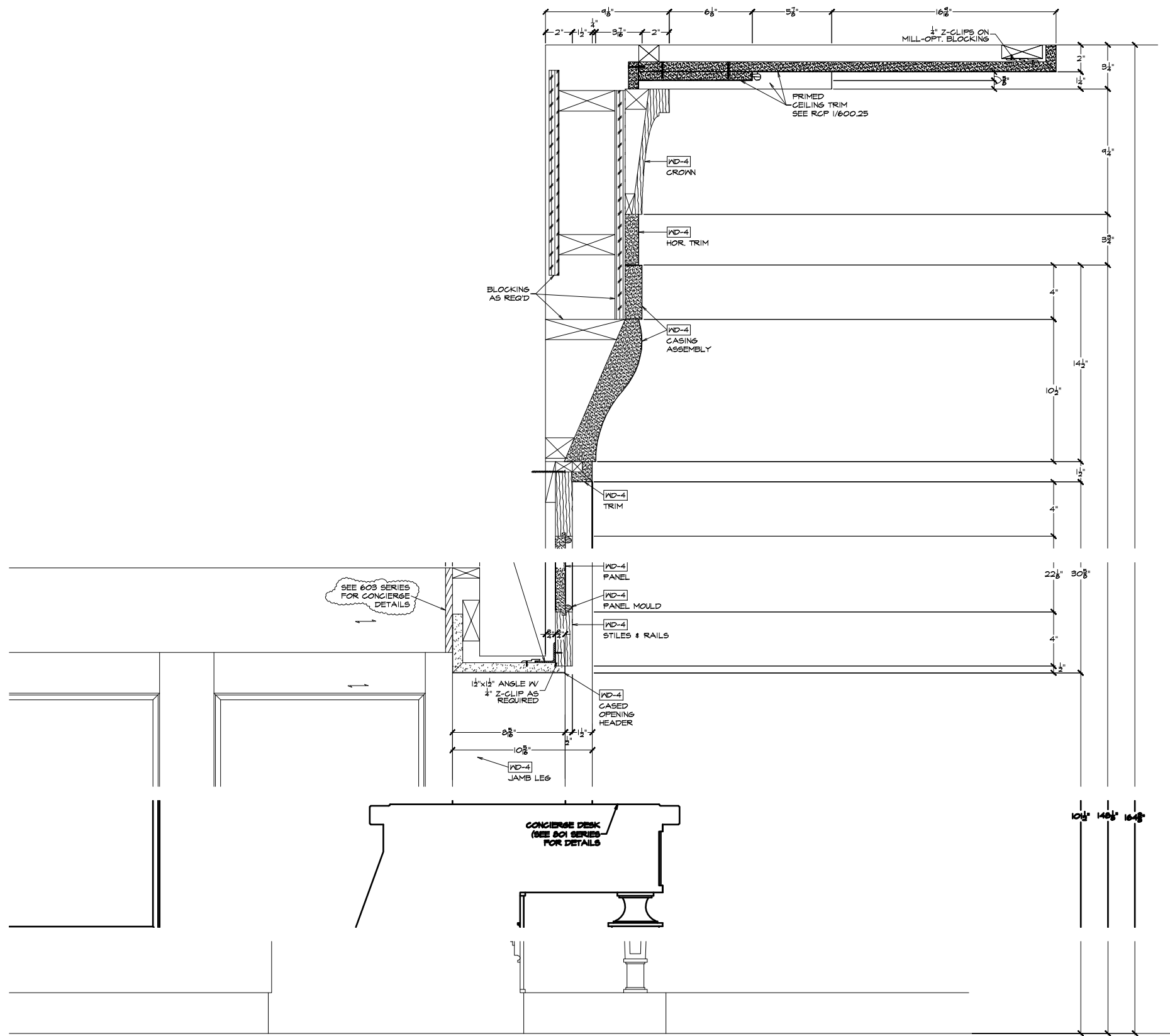


1 C00.14 SECTION @ RESIDENTIAL FOYER
SCALE: 3" = 12" 18/A-148

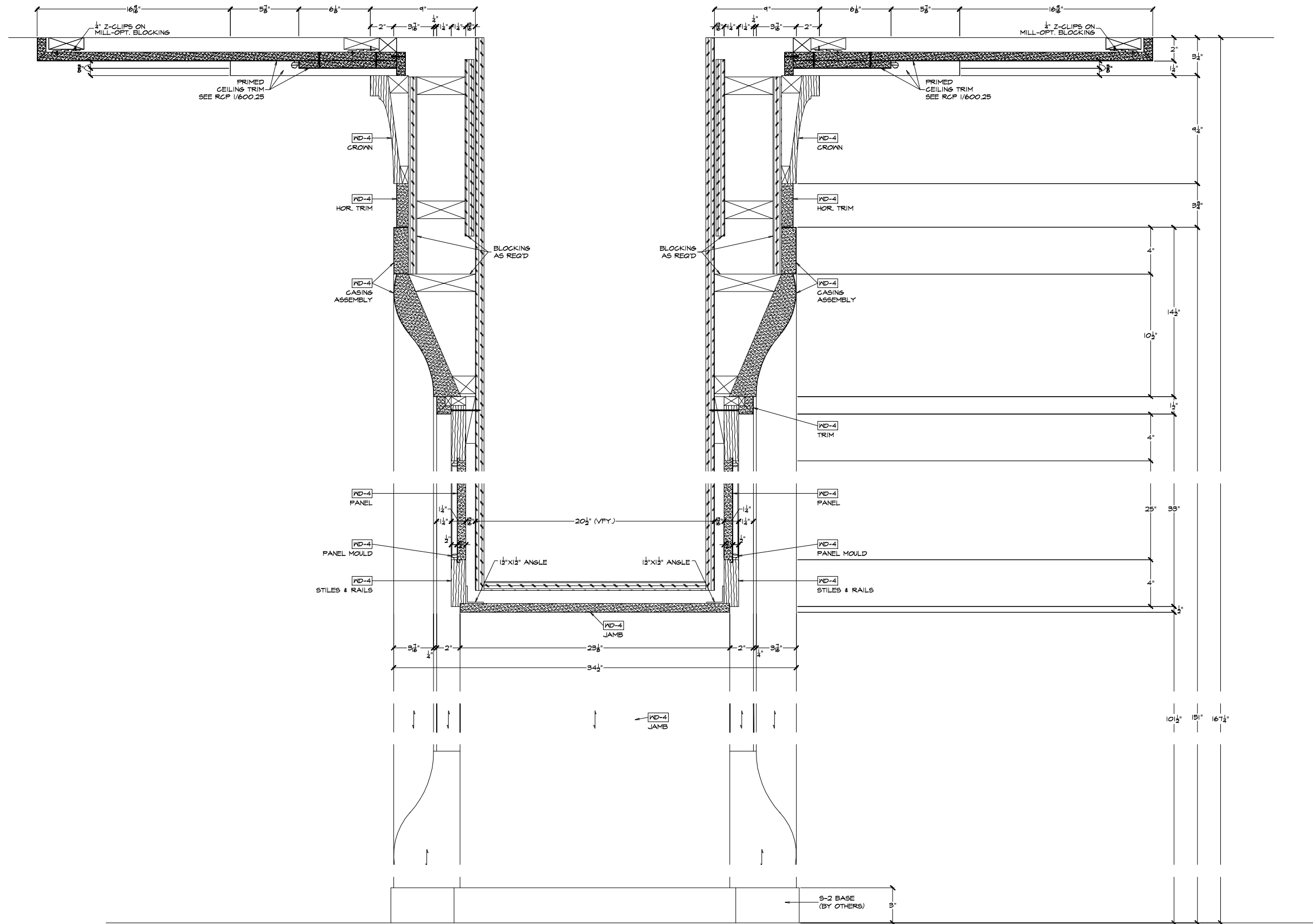


2 C00.14 SECTION @ RESIDENTIAL FOYER
SCALE: 3" = 12" 19/A-148

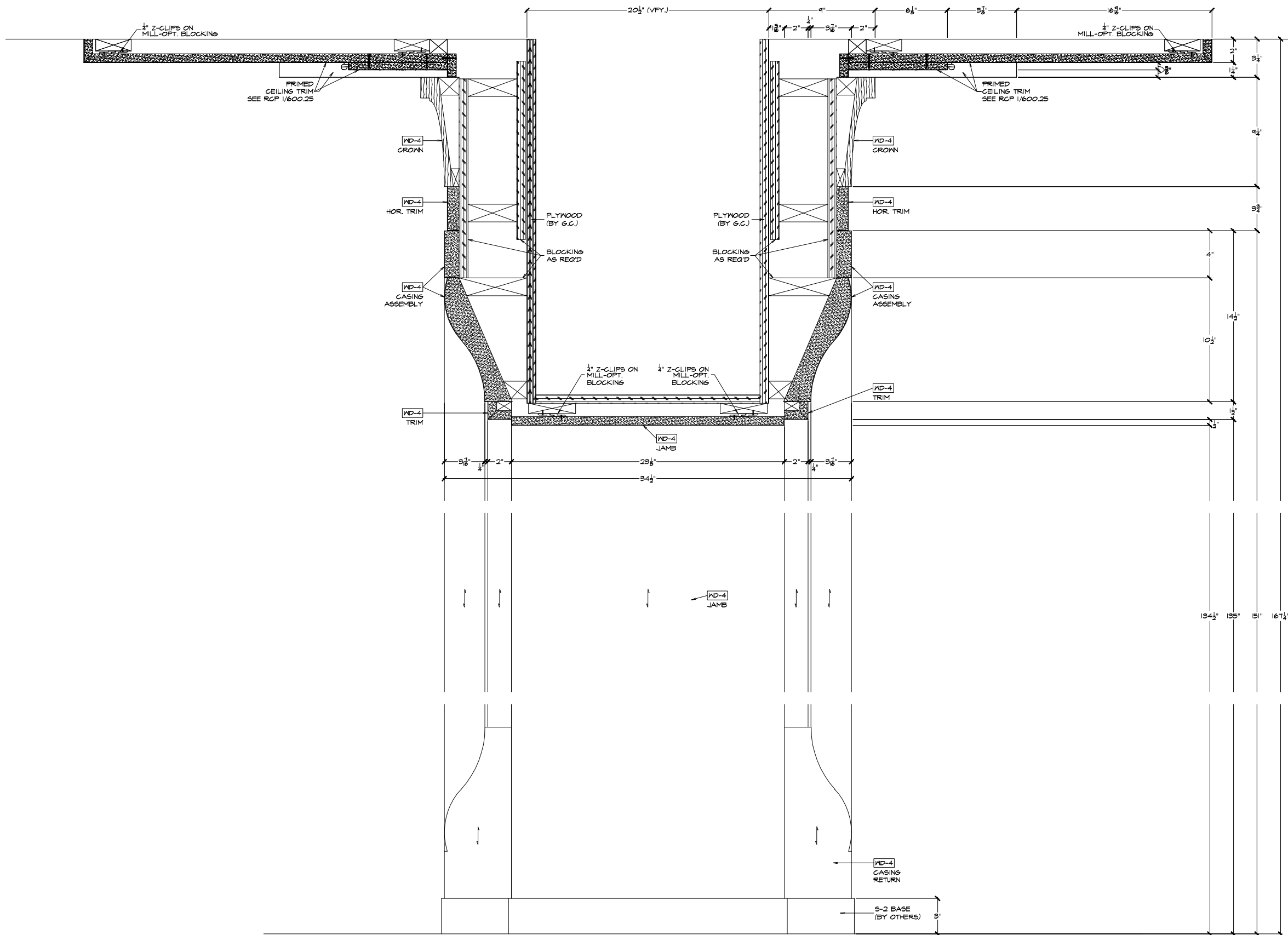




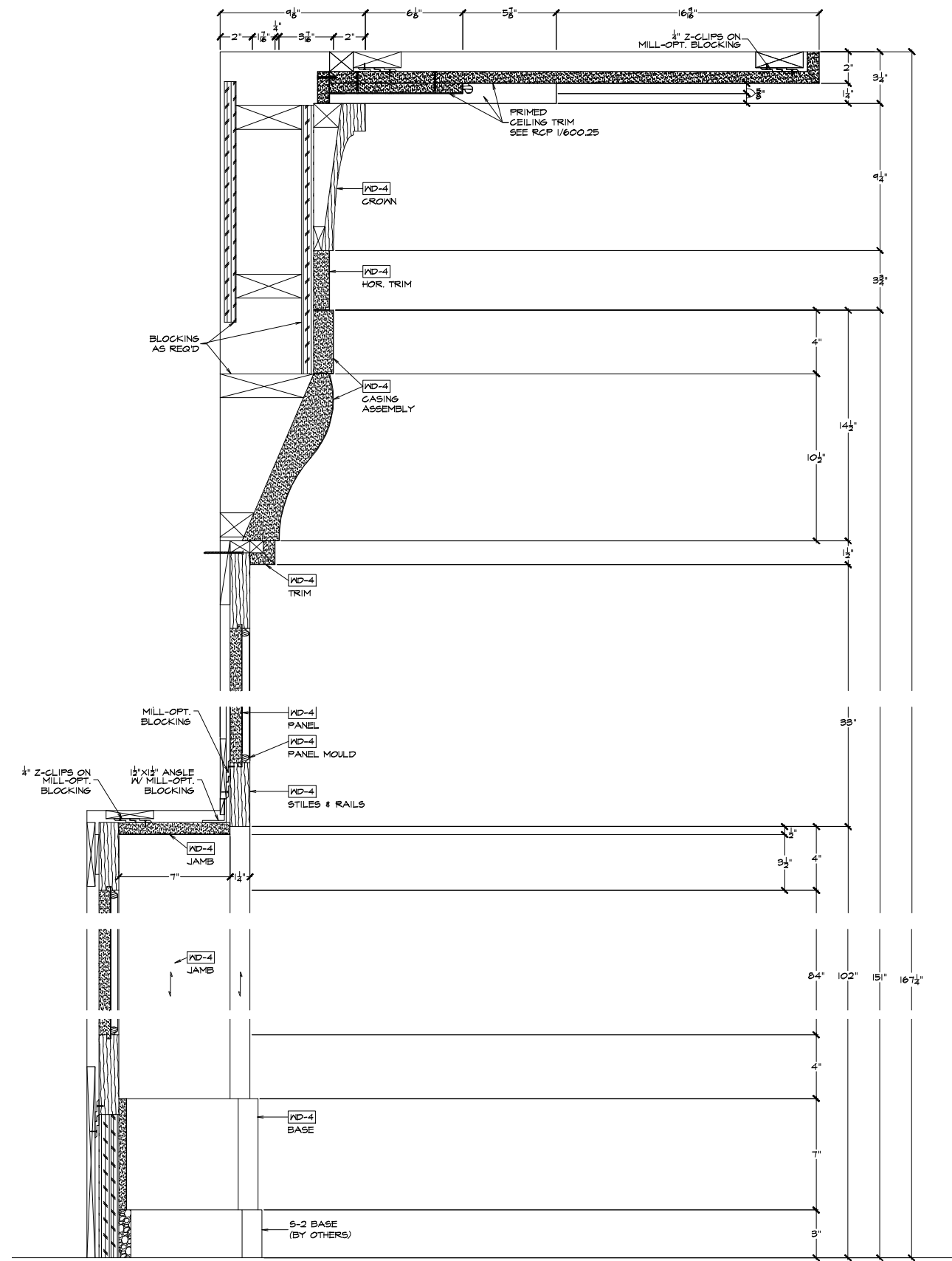
1 000.15 SECTION @ RESIDENTIAL FOYER
 SCALE: 3/4" = 1'-0"
 REF: 221A-148



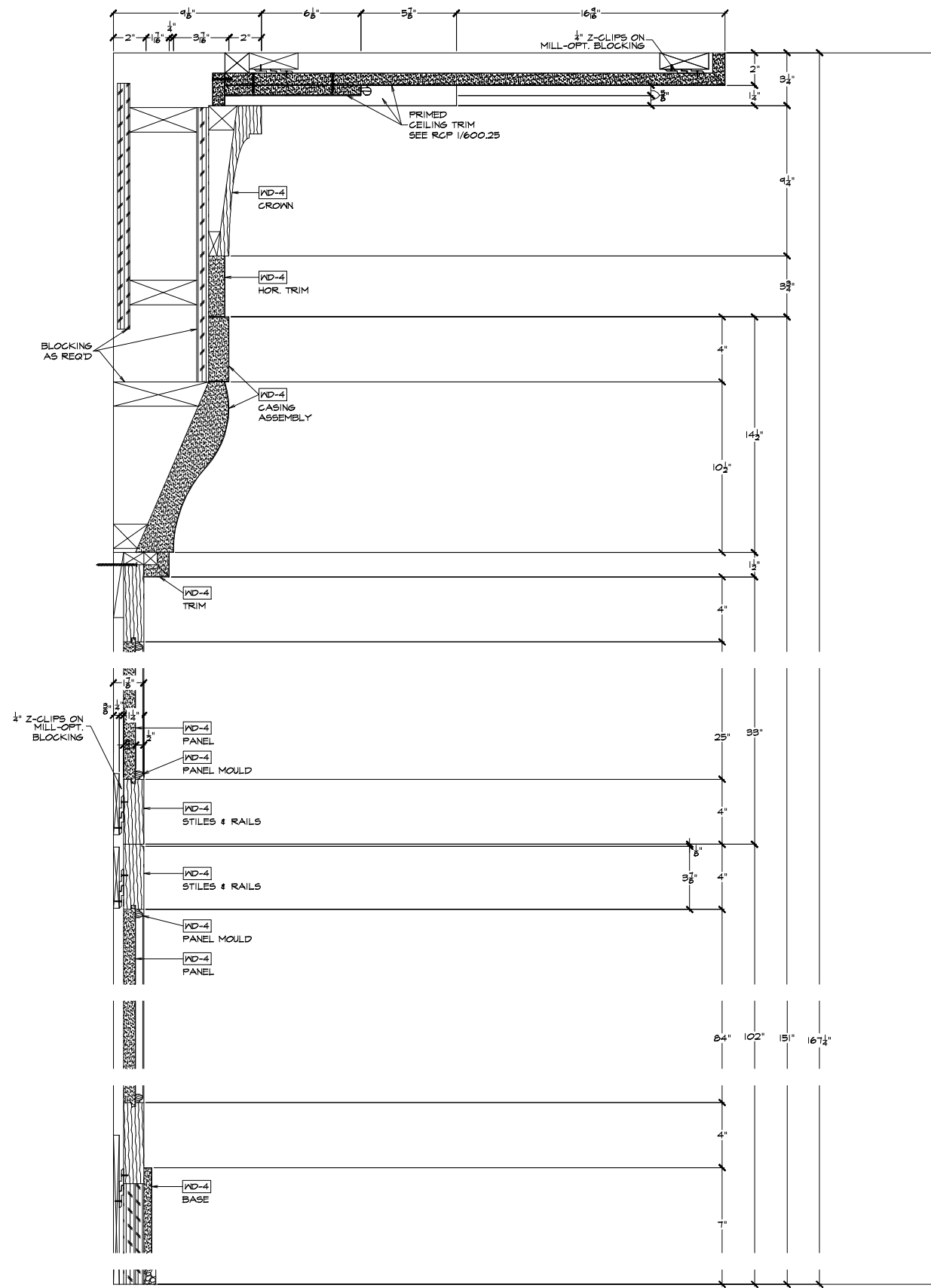
1 600.10 SECTION @ RESIDENTIAL FOYER & LOBBY
 SCALE: 3" = 12" 14/A-148



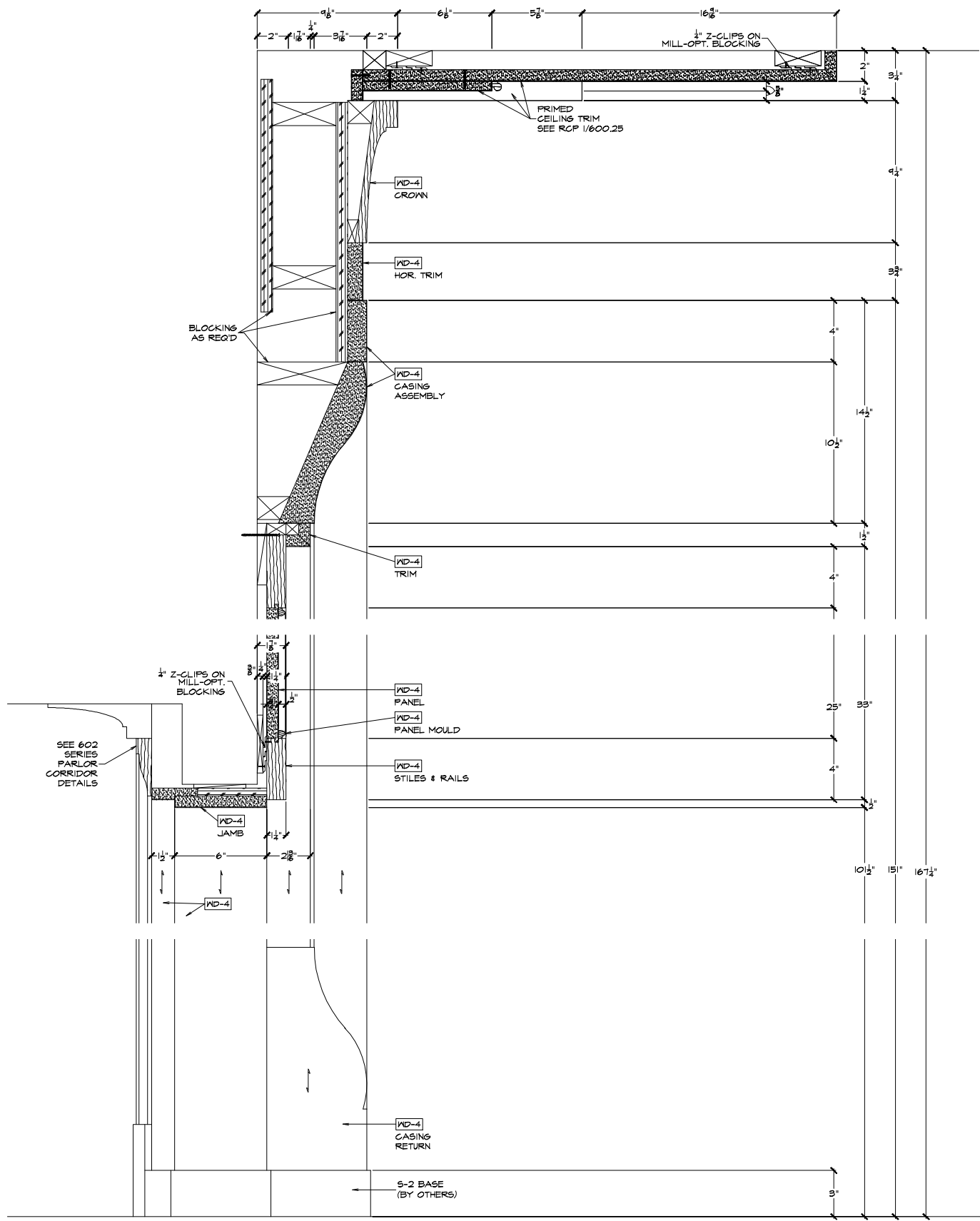
1 600.17 SECTION @ RESIDENTIAL FOYER & LOBBY
 SCALE: 3" = 12" 15/A-146



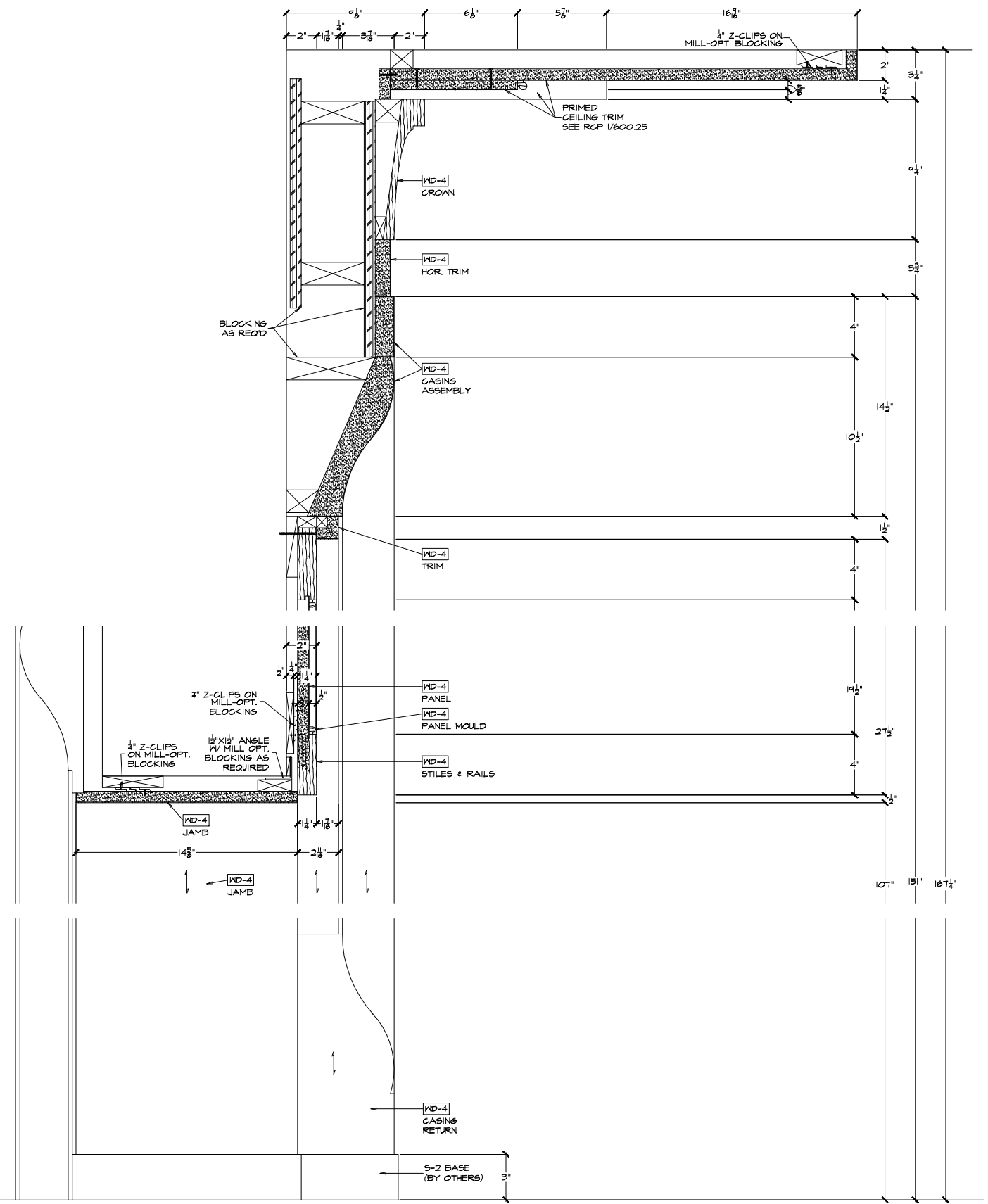
1 **000.13** SECTION @ RESIDENTIAL FOYER
SCALE: 3" = 12" 20/A-145



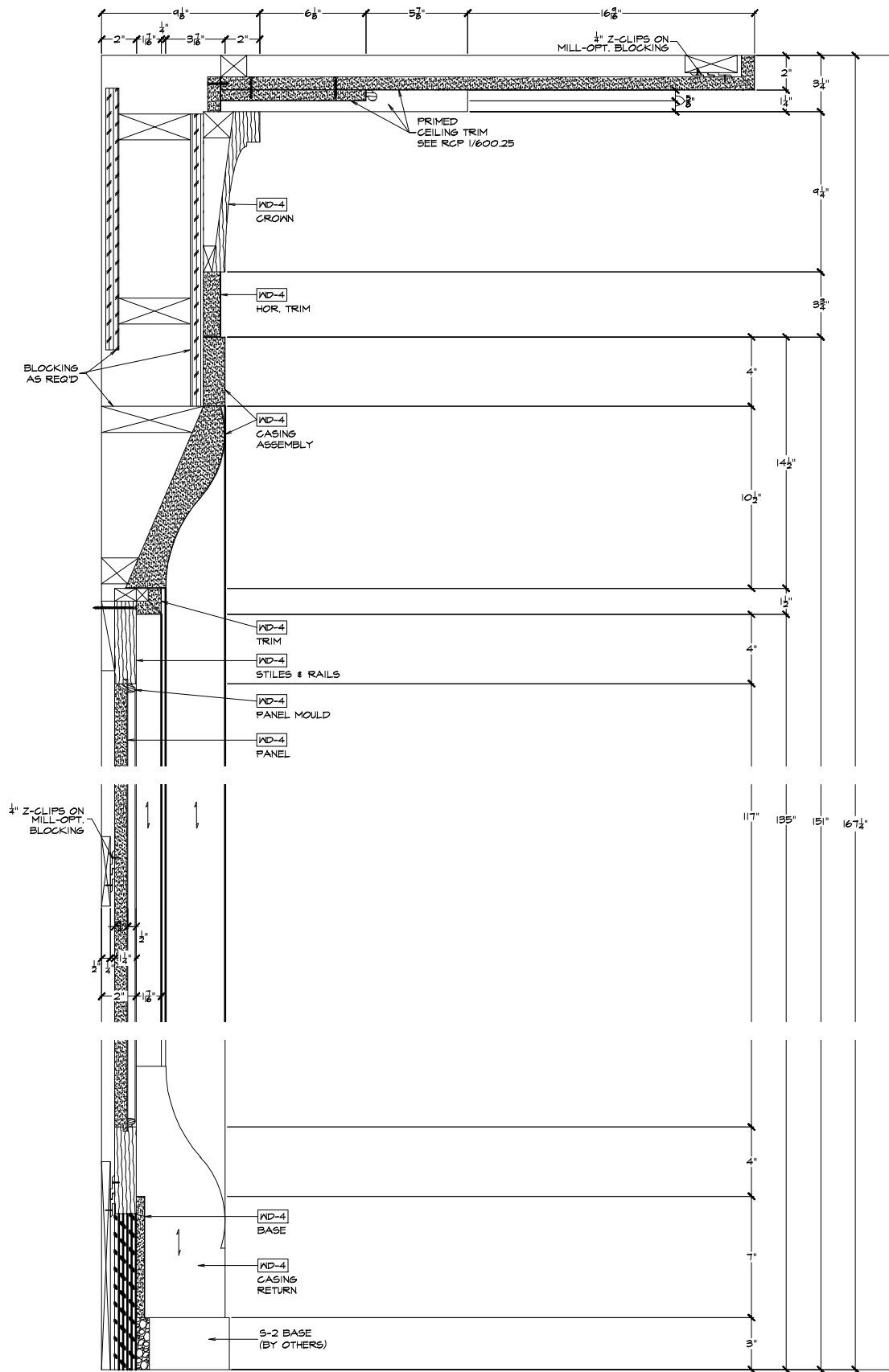
2 **000.13** SECTION @ RESIDENTIAL FOYER
SCALE: 3" = 12" 21/A-145



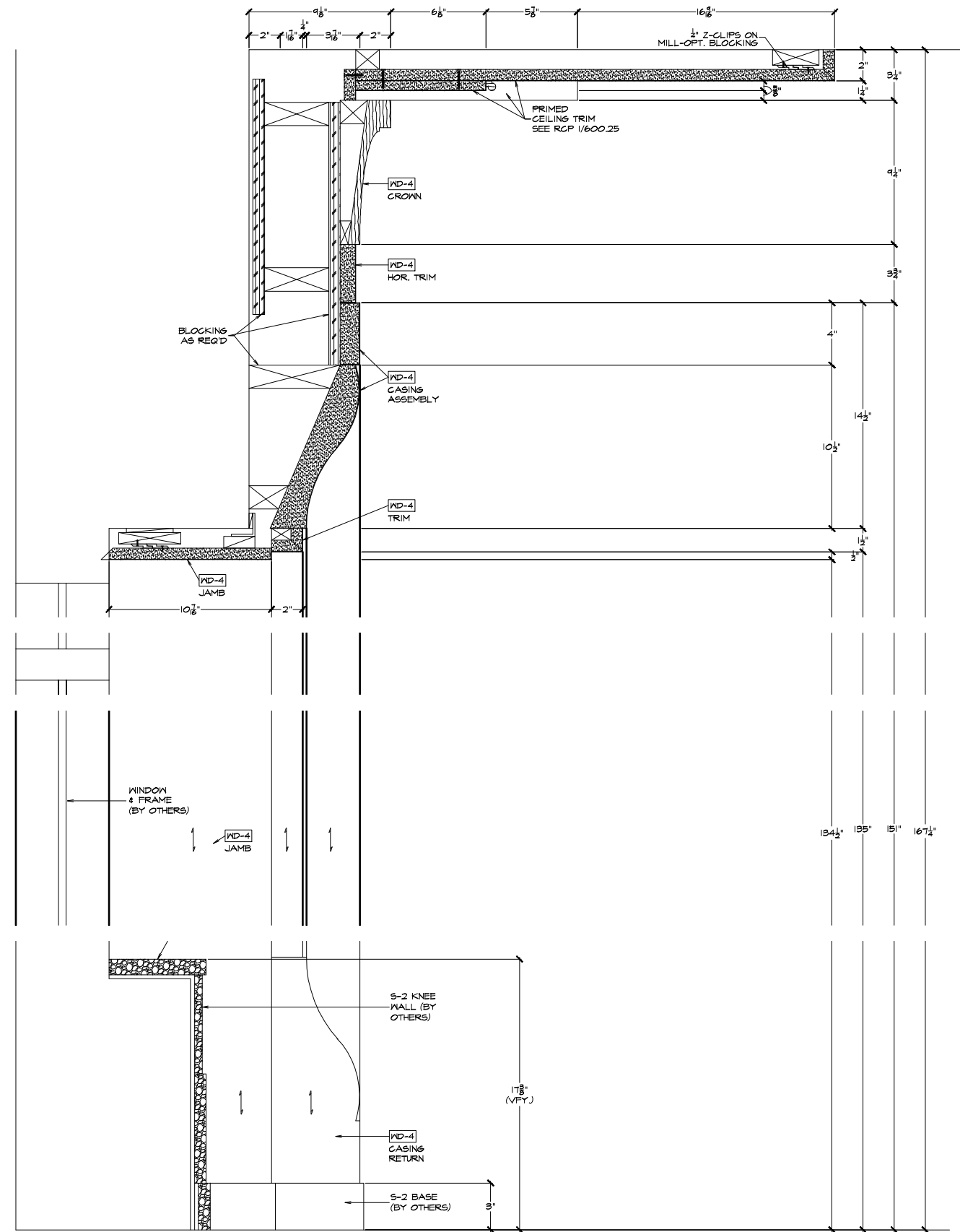
1 000.10 SECTION @ RESIDENTIAL FOYER
SCALE: 3" = 12" 9/A-146



2 000.10 SECTION @ RESIDENTIAL LOBBY
SCALE: 3" = 12" 15/A-146

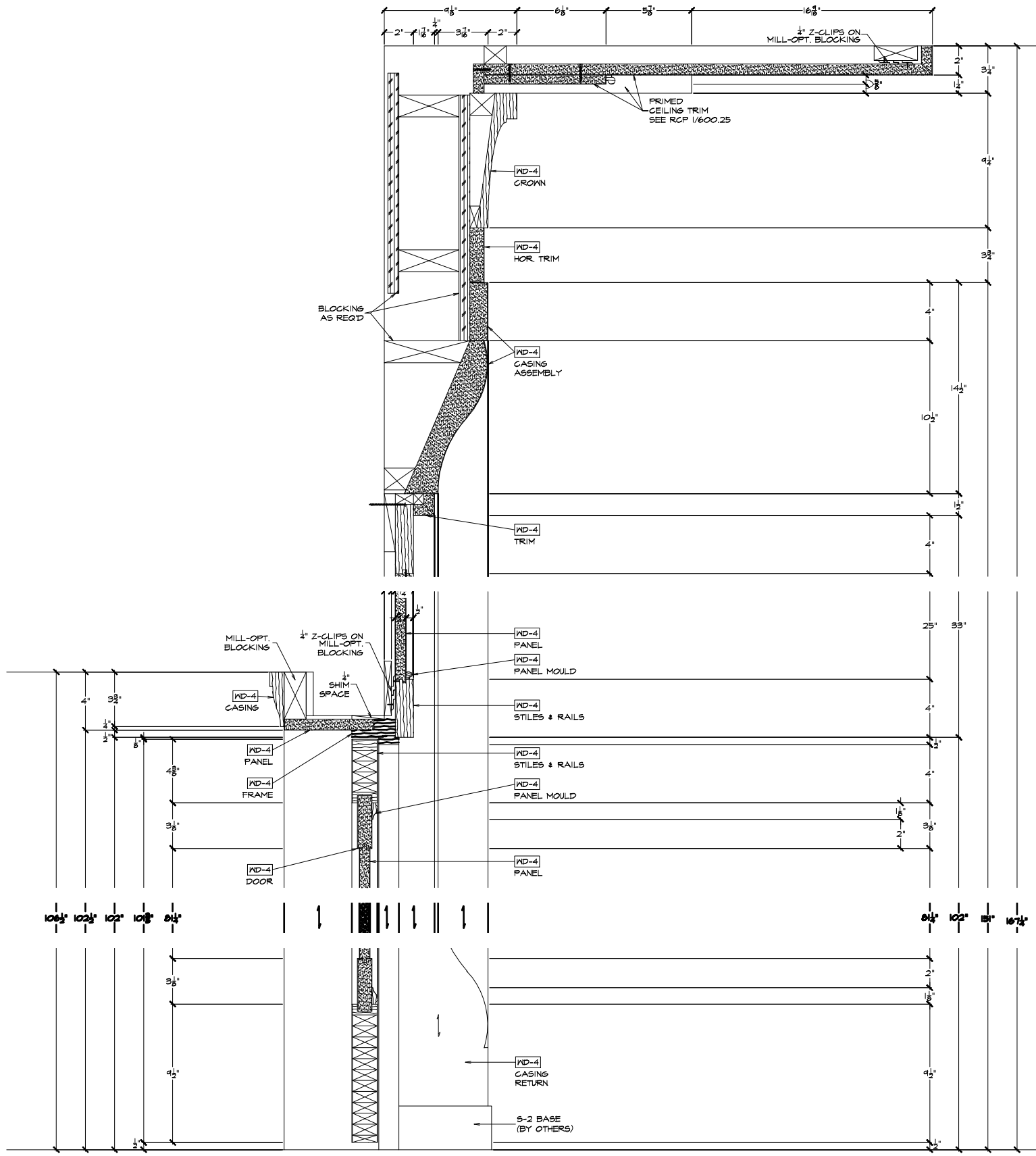


1 000.20 SECTION @ RESIDENTIAL LOBBY
SCALE: 3" = 12" NONE

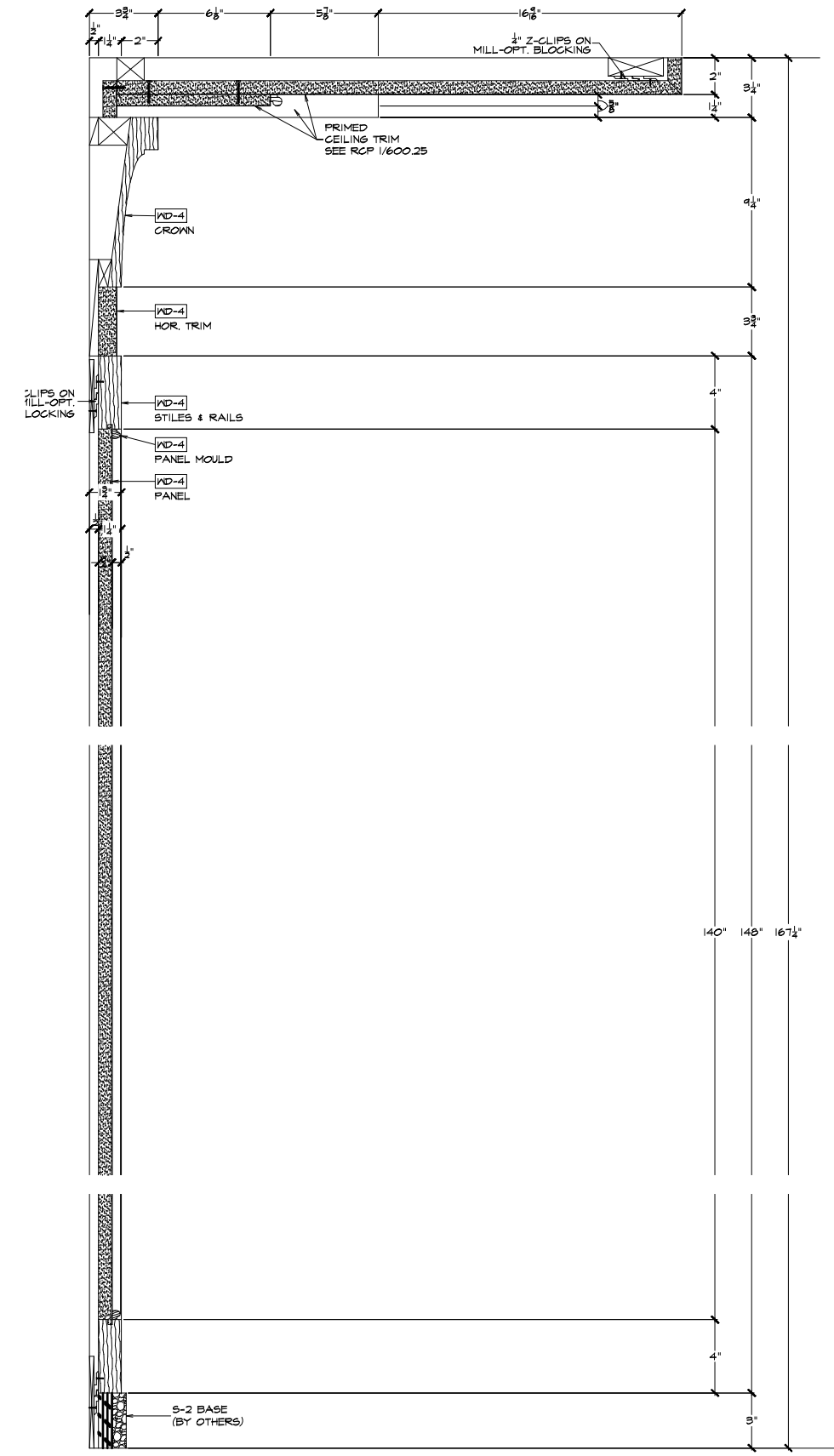


2 000.20 SECTION @ RESIDENTIAL LOBBY
SCALE: 3" = 12" 7/A-146

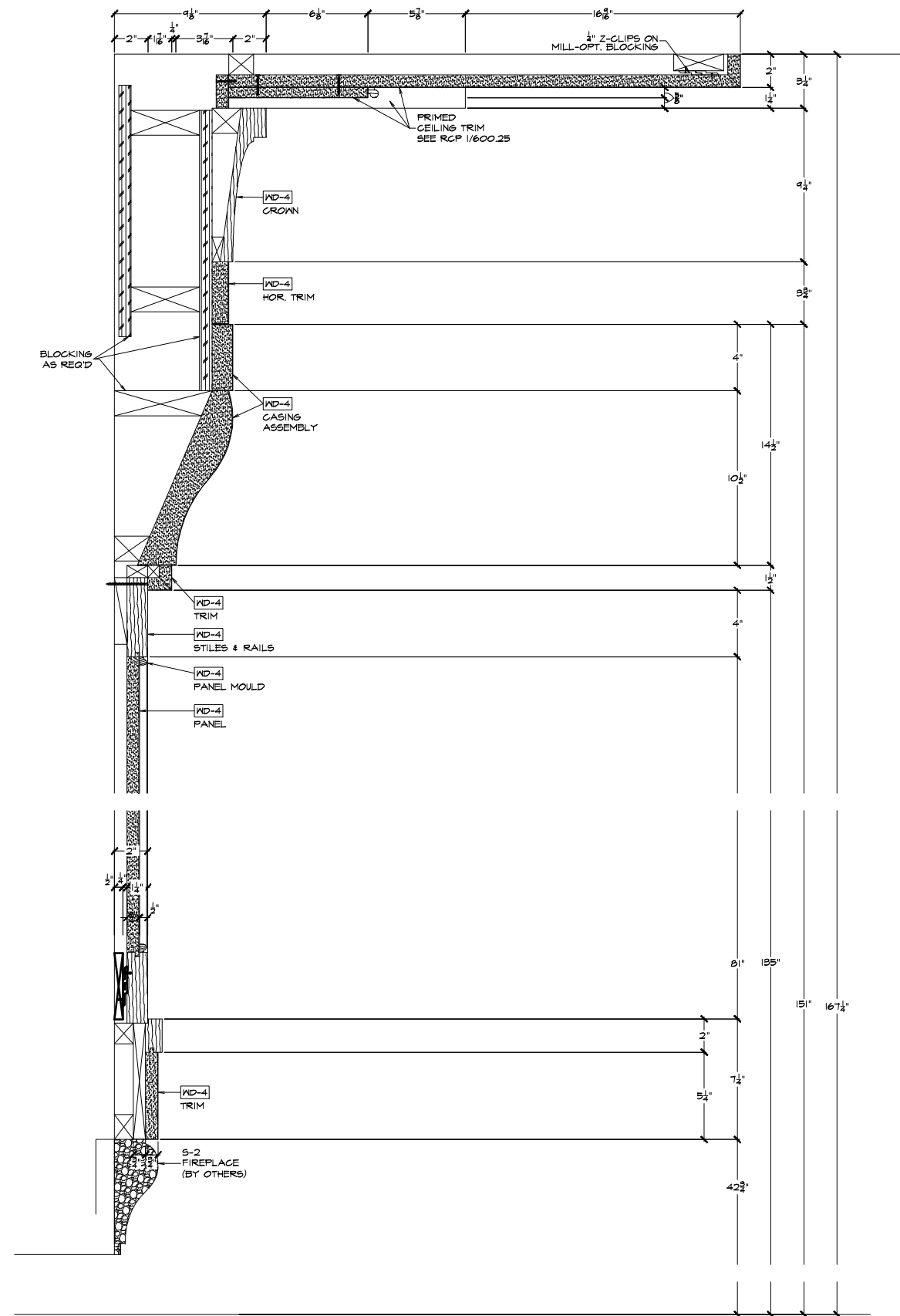




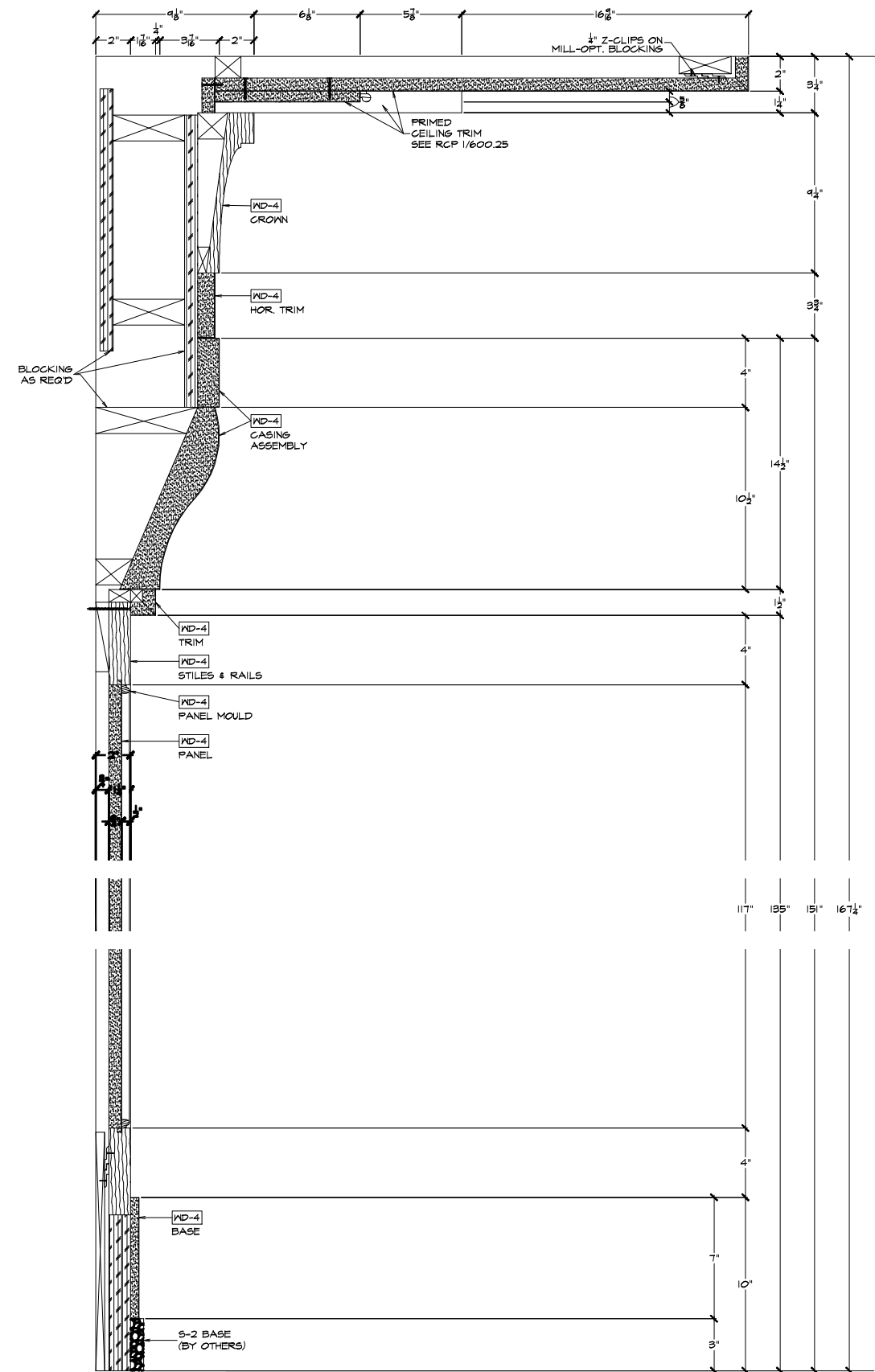
1 000.21 SECTION @ RESIDENTIAL LOBBY
SCALE: 3/4" = 1'-0"
17A-146



2 000.21 SECTION @ RESIDENTIAL LOBBY
SCALE: 3/4" = 1'-0"
17A-146

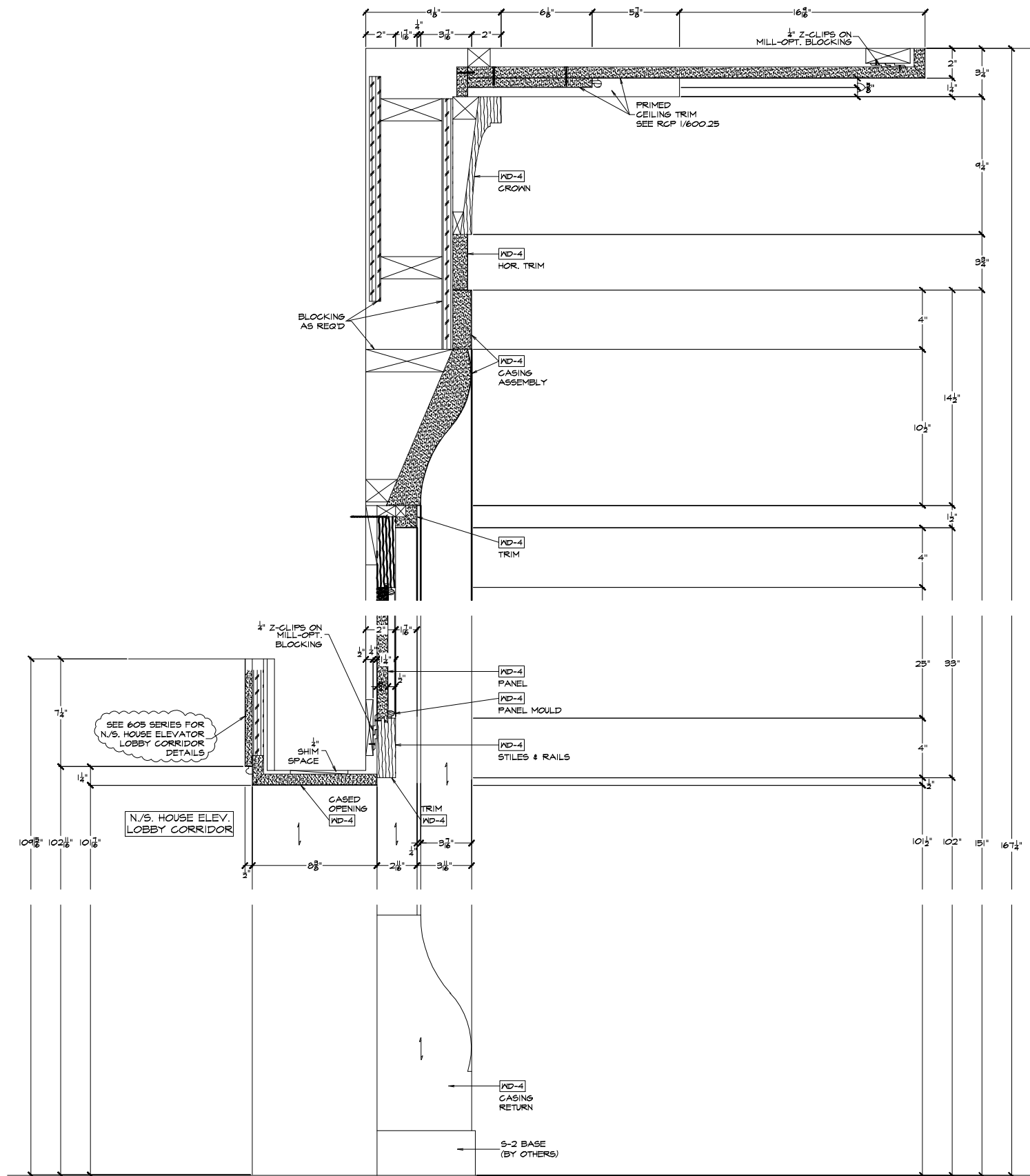


1 000.22 SECTION @ RESIDENTIAL LOBBY
SCALE: 3/8" = 1'-0"
NONE

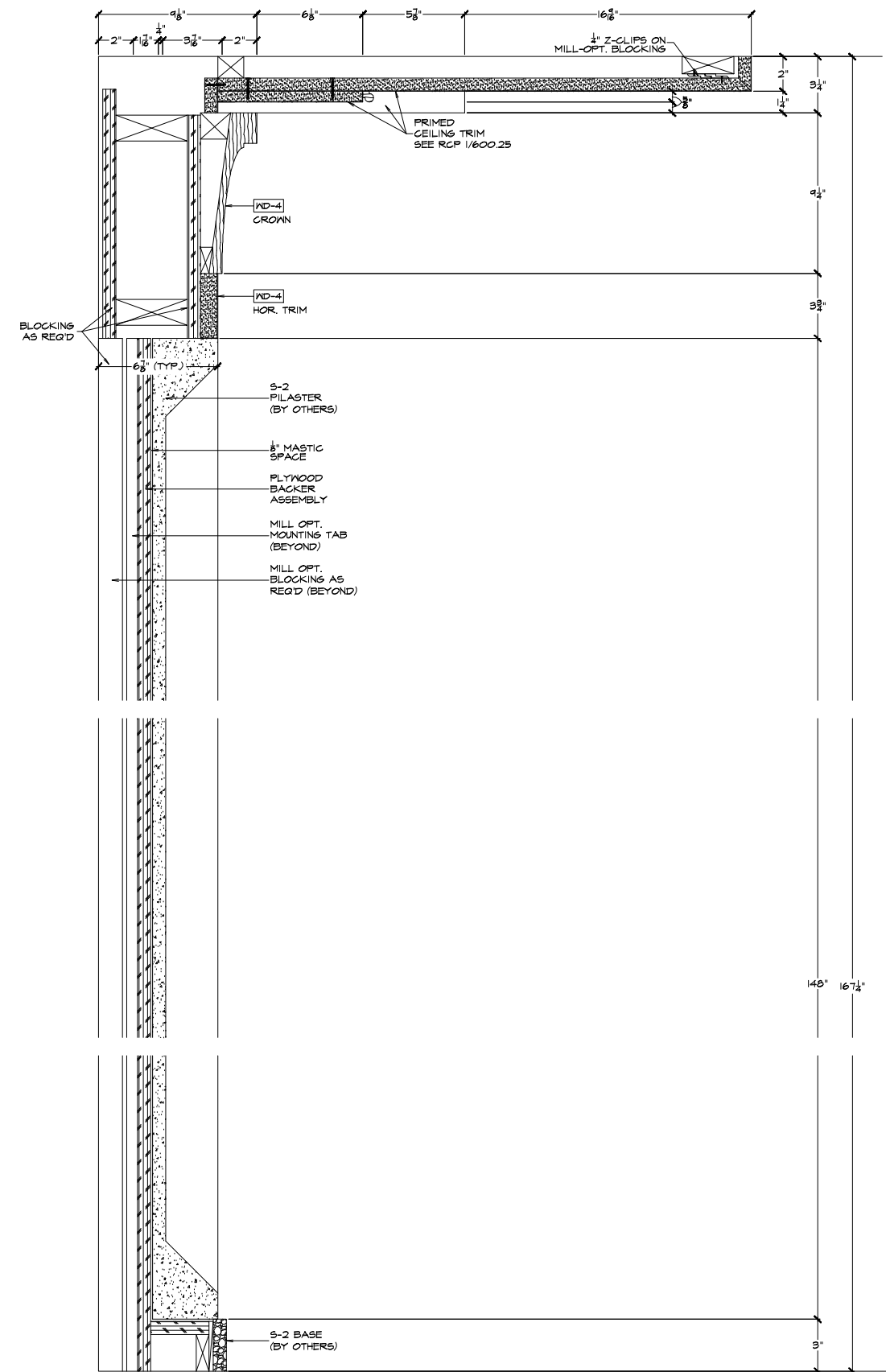


2 000.22 SECTION @ RESIDENTIAL LOBBY
SCALE: 3/8" = 1'-0"
10/A-148



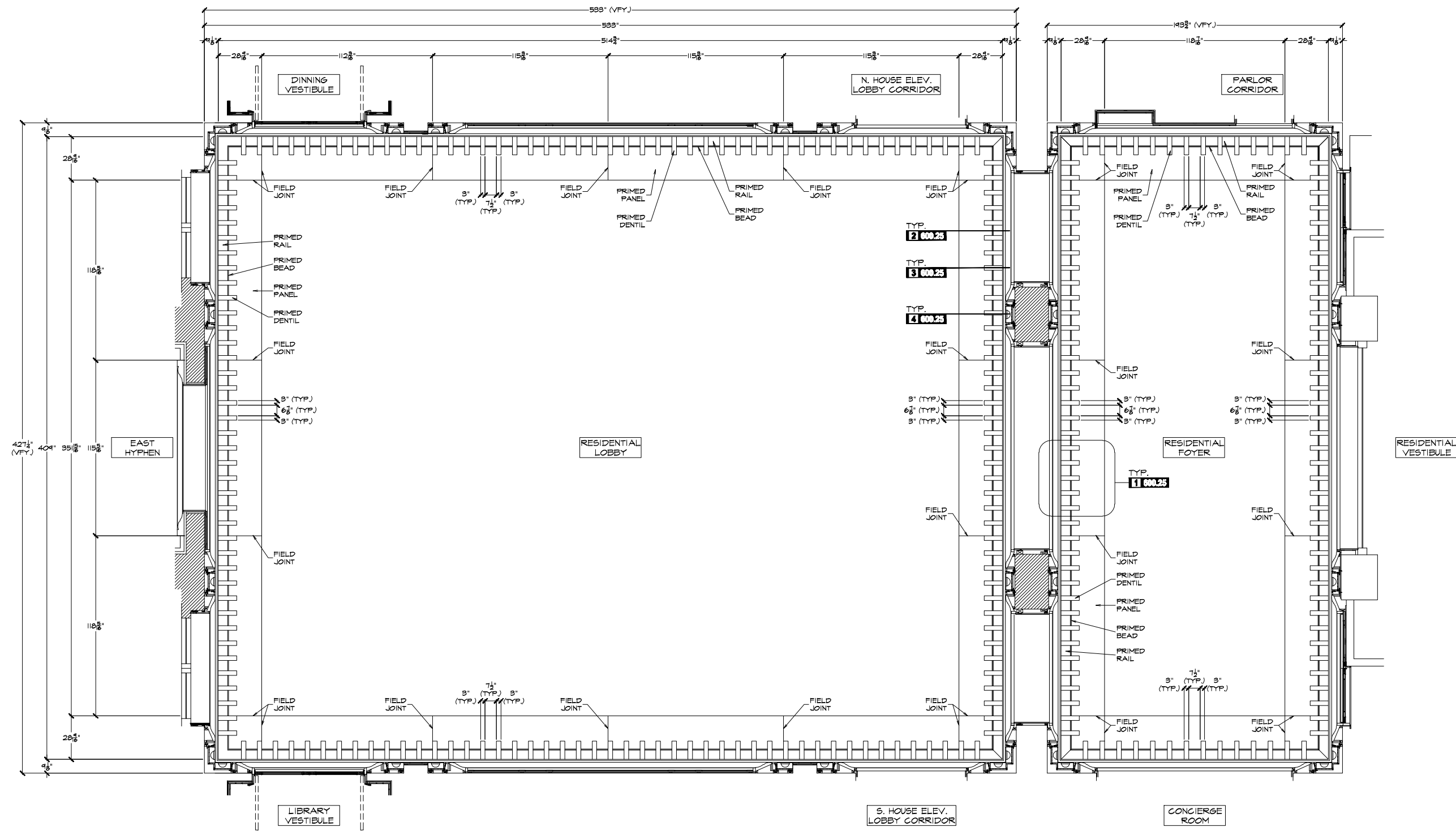


1 000.23 SECTION @ RESIDENTIAL LOBBY
SCALE: 3/4" = 1'-0"

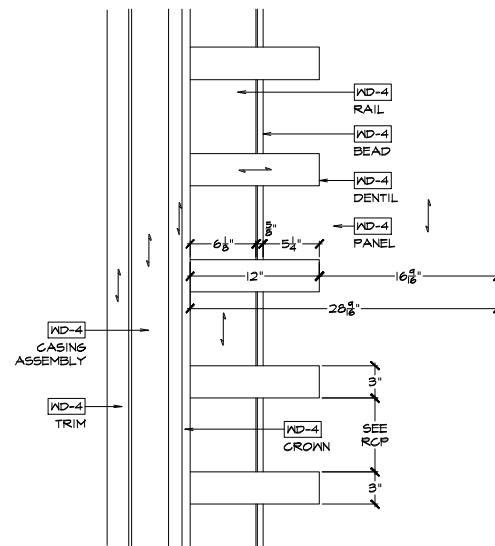


2 000.23 SECTION @ RESIDENTIAL LOBBY & FOYER
SCALE: 3/4" = 1'-0"

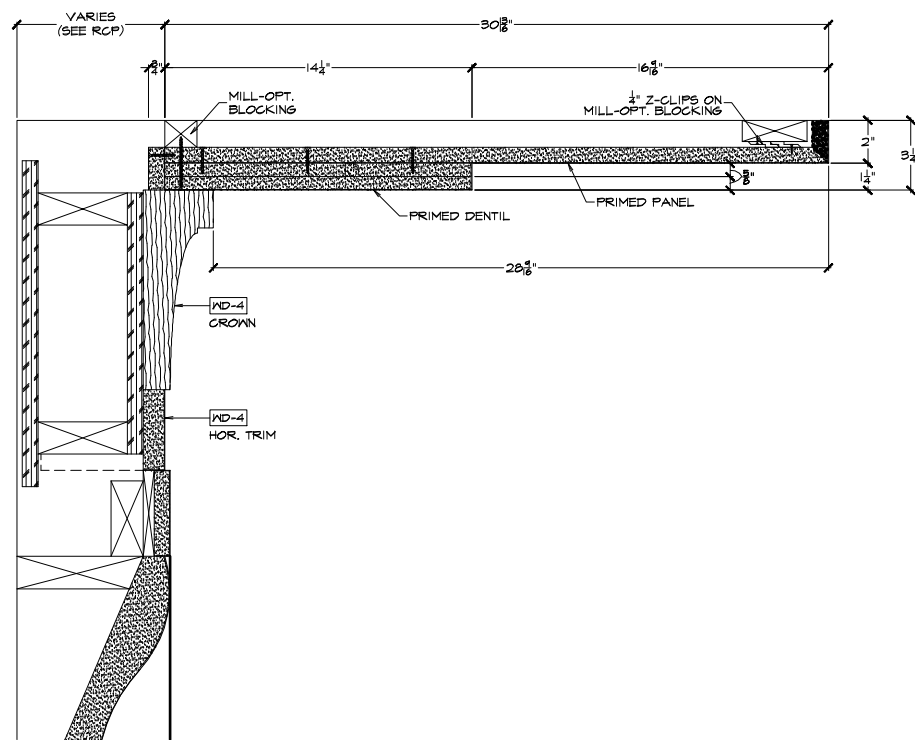




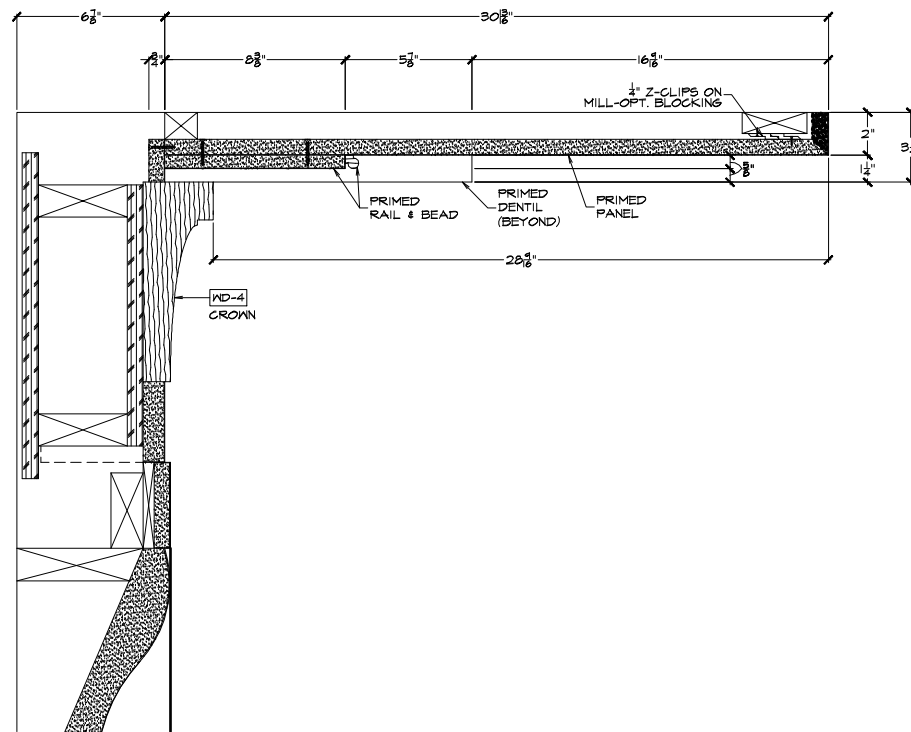
1 600.25 RCP @ RESIDENTIAL FOYER/LOBBY
 SCALE: 3/8" = 12" 2/A-145 & 2/A-148



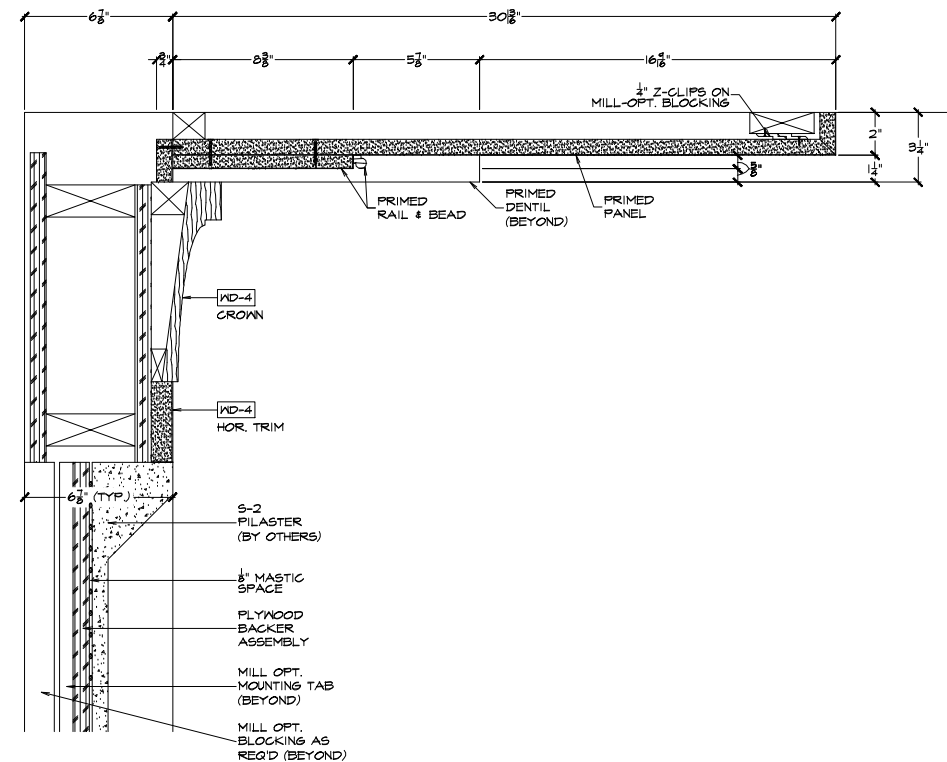
1 **000-23** TYP. CEILING DETAIL
SCALE: 1 1/2" = 12" NONE



2 **000-23** SECTION @ RESIDENTIAL FOYER/LOBBY CEILING
SCALE: 3" = 12" 17/A-145 SIM.



3 **000-23** SECTION @ RESIDENTIAL FOYER/LOBBY CEILING
SCALE: 3" = 12" 17/A-145 SIM.



4 **000-23** SECTION @ RESIDENTIAL FOYER/LOBBY CEILING
SCALE: 3" = 12" NONE